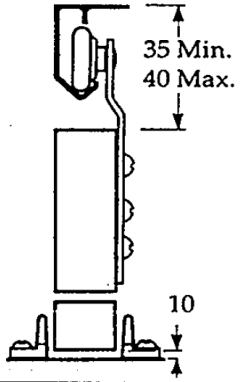
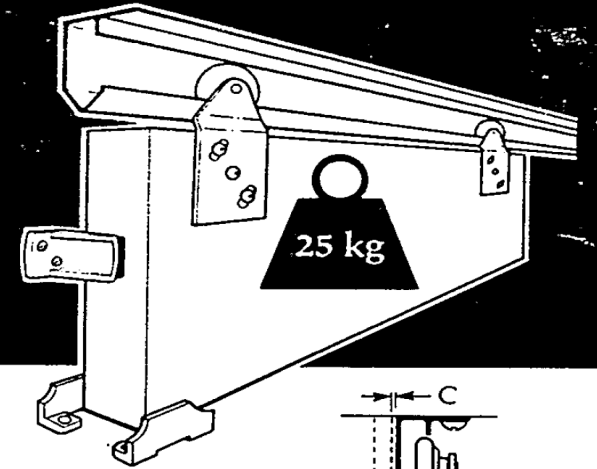


# HENDERSON

# SINGLE TOP

## LIGHTWEIGHT



(CS 15) STL 15 A = 750 mm 25kg  
 (CS 18) STL 18 A = 900 mm 25kg



B	12	14	16	19	22	25	29	32	35
C	-	-	-	-	2	5	9	12	15

