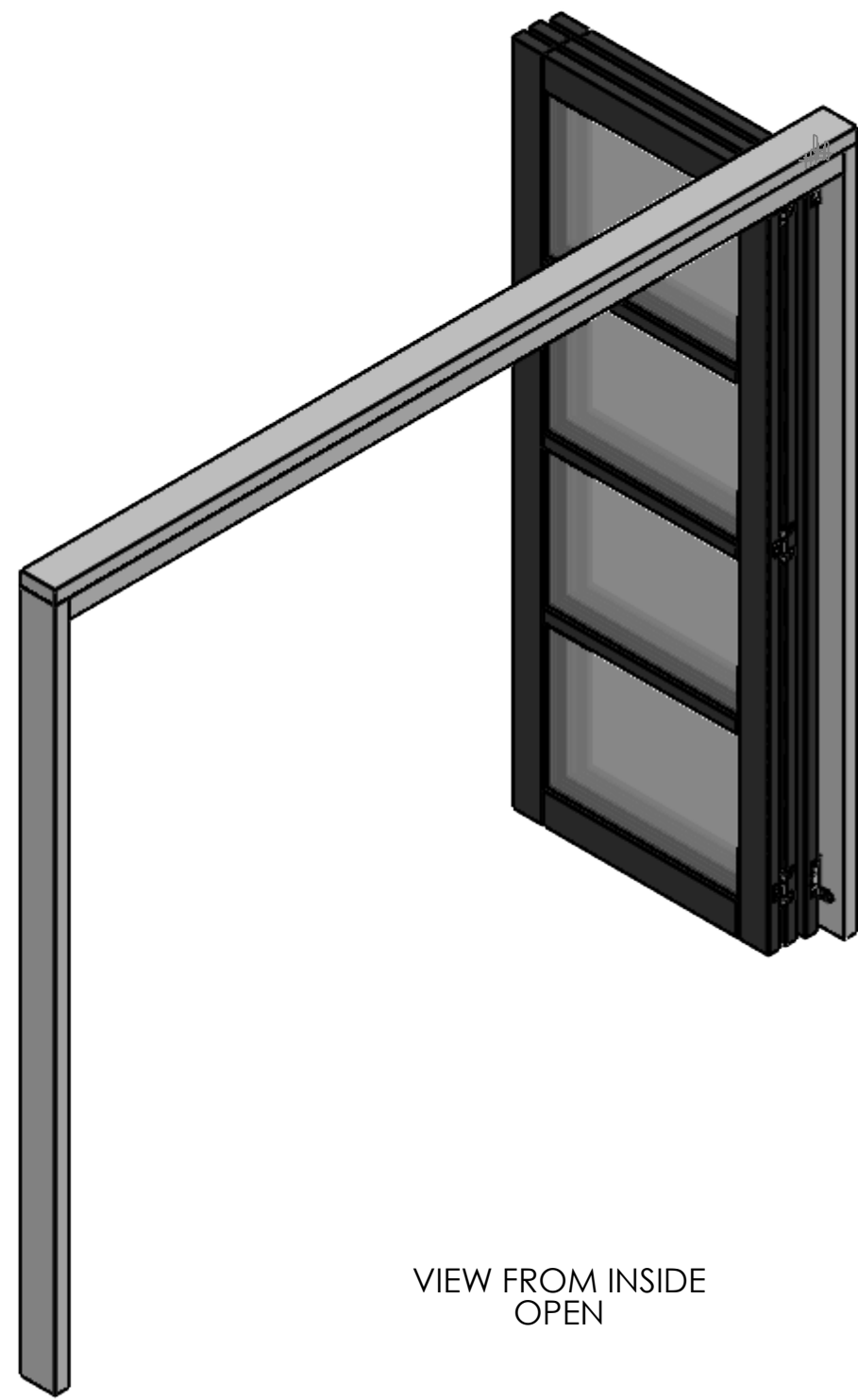
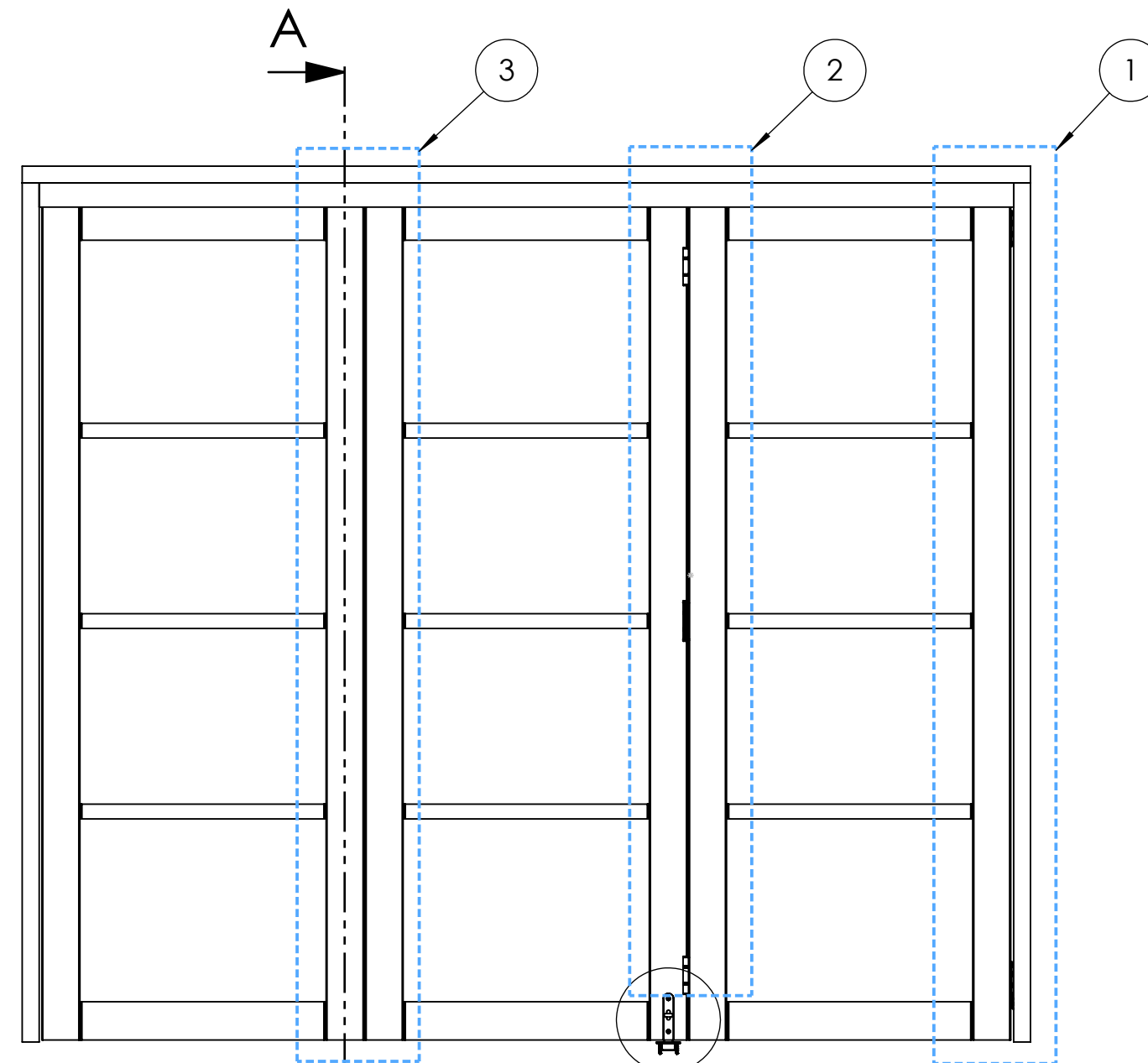


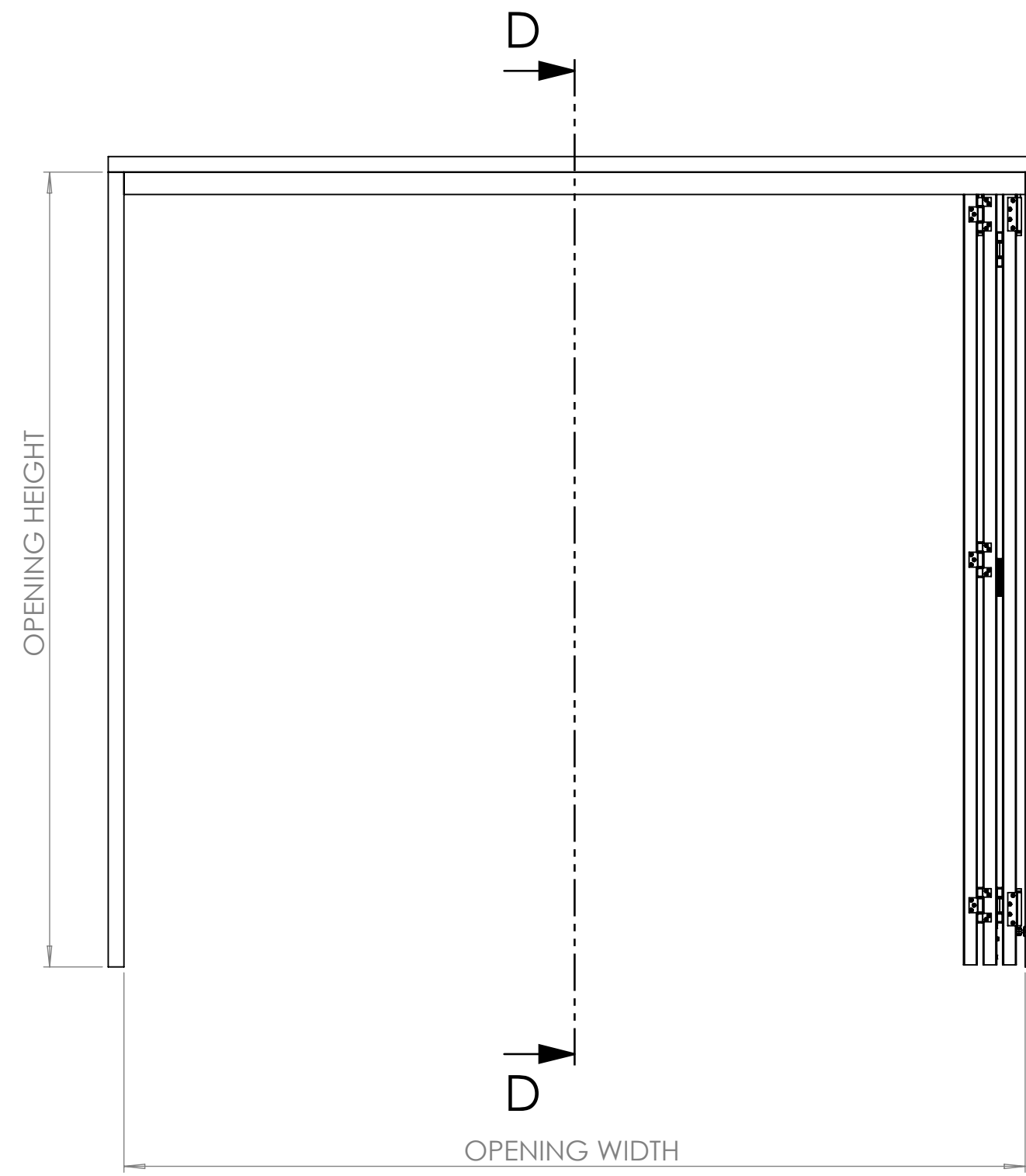
VIEW FROM INSIDE CLOSED



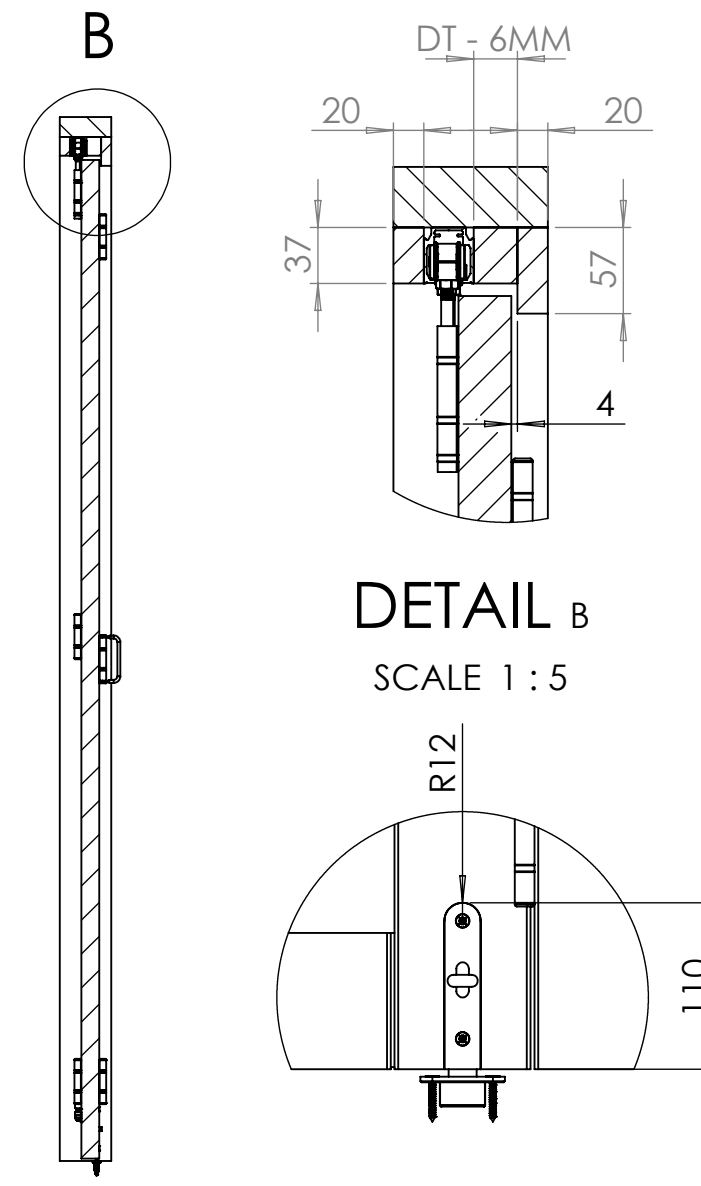
VIEW FROM INSIDE OPEN



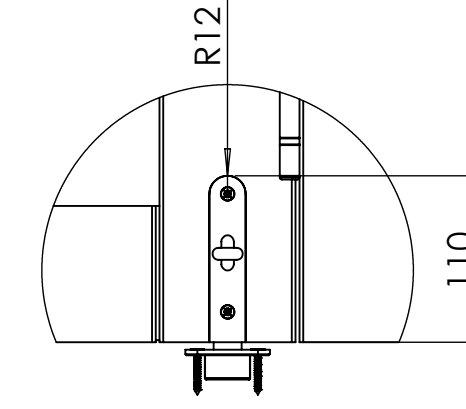
VIEW FROM INSIDE CLOSED



VIEW FROM INSIDE OPEN

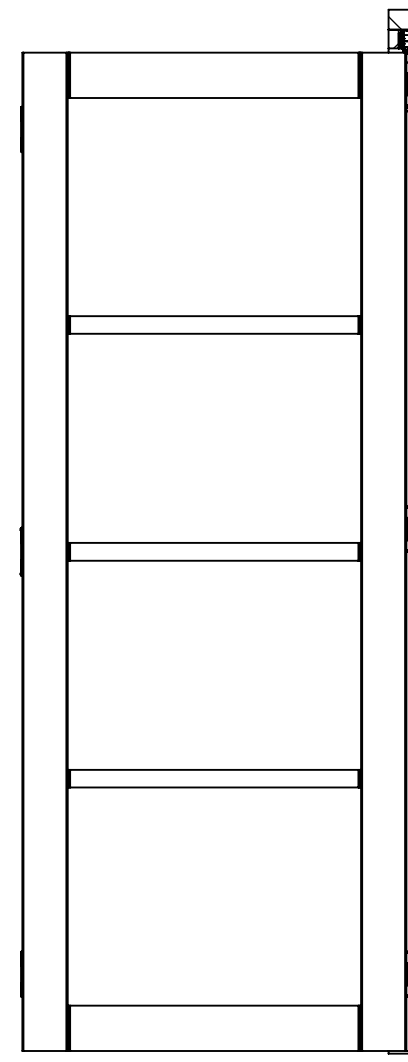


DETAIL B  
SCALE 1 : 5

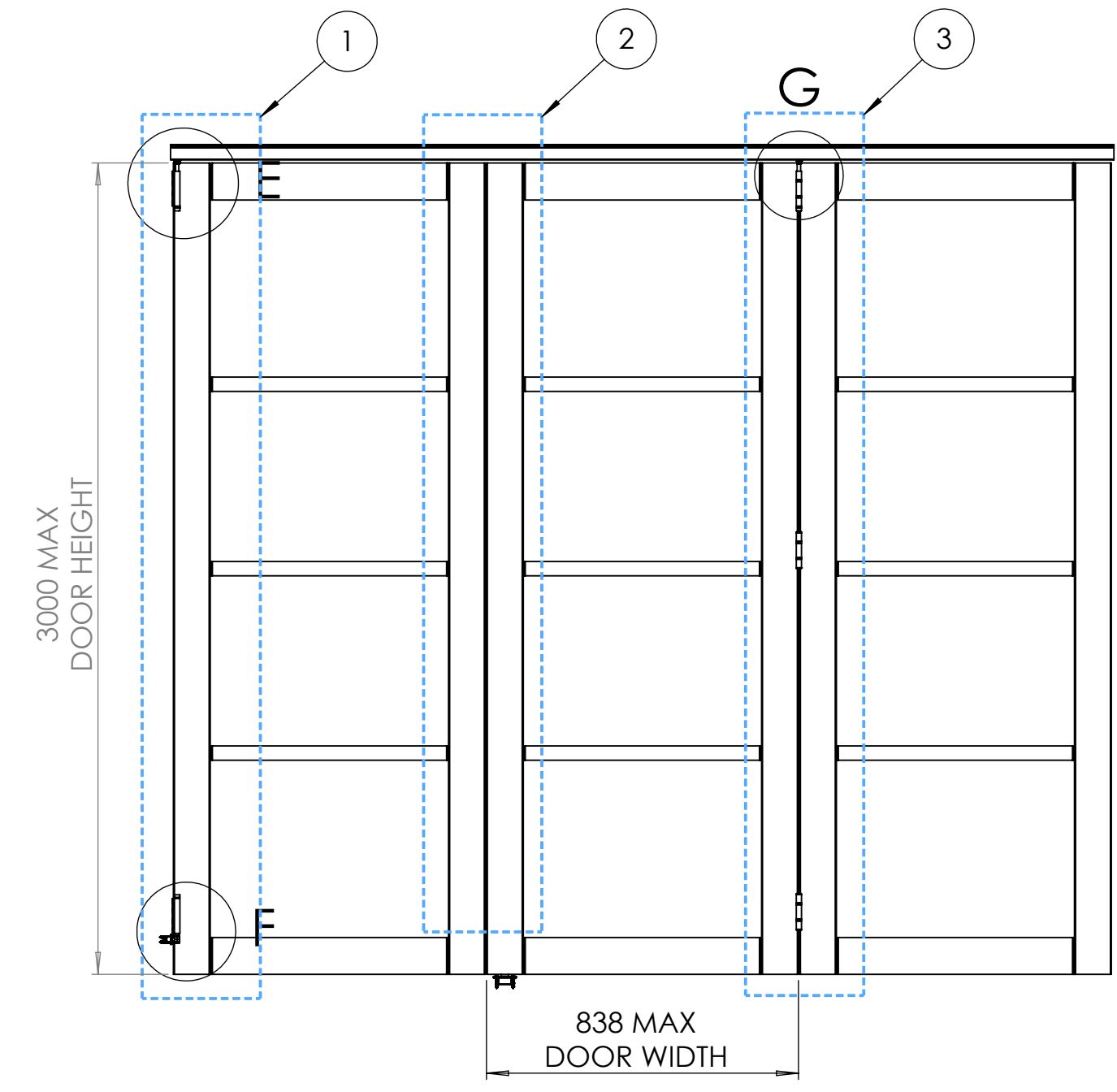


DETAIL C  
SCALE 1 : 5

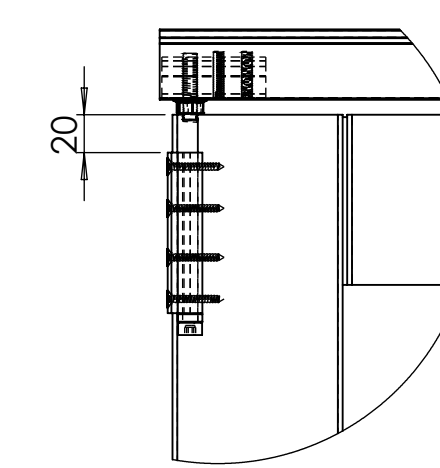
SECTION A-A  
SCALE 1 : 15



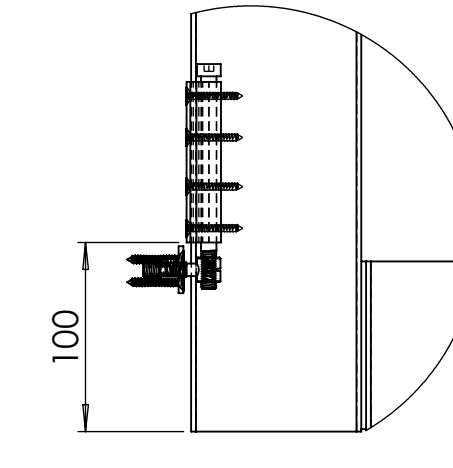
SECTION D-D  
SCALE 1 : 15



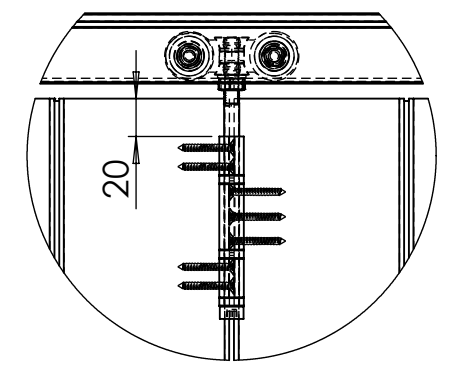
VIEW FROM OUTSIDE CLOSED



DETAIL E  
SCALE 1 : 4



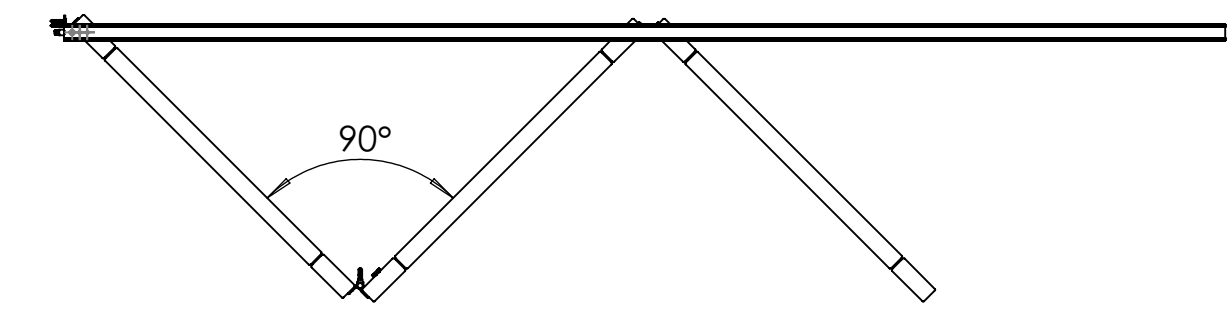
DETAIL F  
SCALE 1 : 4



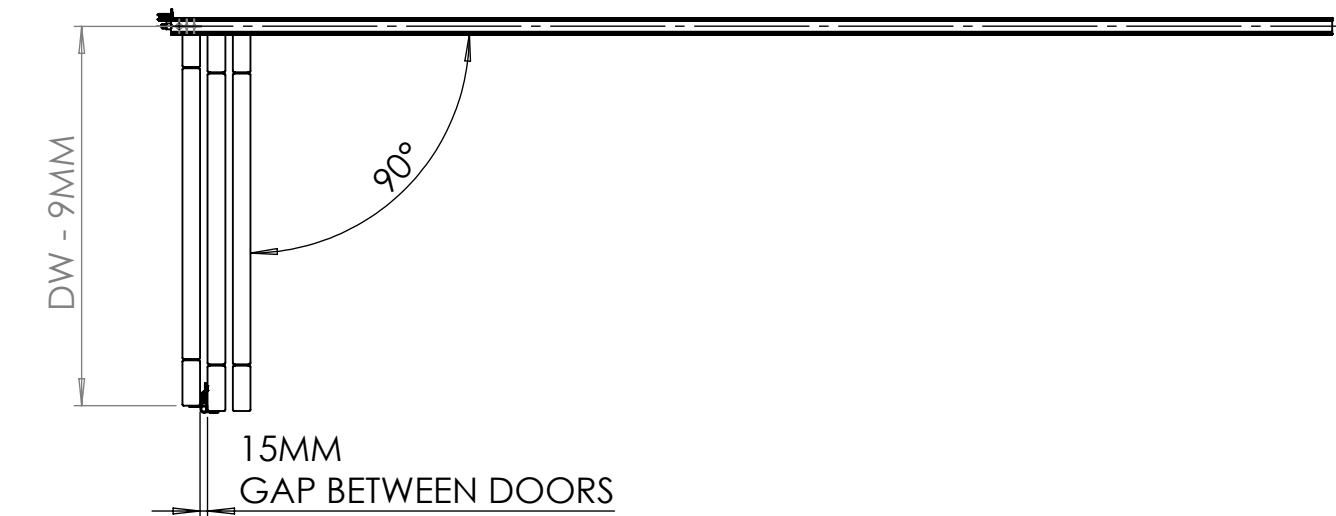
DETAIL G  
SCALE 1 : 4



DOORS CLOSED



DOORS HALF OPEN



DOORS OPEN

230207		
ITEM	DESCRIPTION	QUANTITY
1	ROOMFLEX 40 - PIVOT PACK	1
2	ROOMFLEX 40 - OFFSET HANDLE HINGE SET	1
3	ROOMFLEX PRO - MIDSET HANGER HINGE ASSEMBLY	1
4	FLUSH BOLT BRUSHED SATIN 110MM (NON LOCKING) FB110S	1

NOTE:  
- THIS SYSTEM IS USED FOR INTERNAL USE ONLY.  
FOR VIEWS STATING "INSIDE" / "OUTSIDE"; INSIDE REFERS TO THE ROOM THE HANDLE HINGE PULL IS BEING PULLED TOWARDS, TO CLOSE THE DOORS.

issue	cir no	date	dm.	ch.kd.	appd.	remarks
1	N/A	18/04/23	AC			FIRST RELEASE

Material SEE INDIVIDUAL COMPONENTS	Finish SEE INDIVIDUAL COMPONENTS	Scale 1:15 (A1)	Projection First Angle
<b>HENDERSON</b> <small>P.C. HENDERSON LIMITED, DURHAM ROAD, BOWBURN, COUNTY DURHAM DH9 5NG UNITED KINGDOM          TELEPHONE: (0191) 3770701</small>		<b>ASSA ABLOY</b> <small>Part of ASSA ABLOY</small>	
<small>Document ID</small> <b>3+0 - ROOMFLEX 40</b>			<small>Rev.</small> <b>1</b>
<small>Document ID</small> <b>230207</b>			<small>Rev.</small> <b>1</b>

This work is copyright and no part may be reproduced, by any process, nor may any other exclusive right be exercised without the permission of ASSA ABLOY.