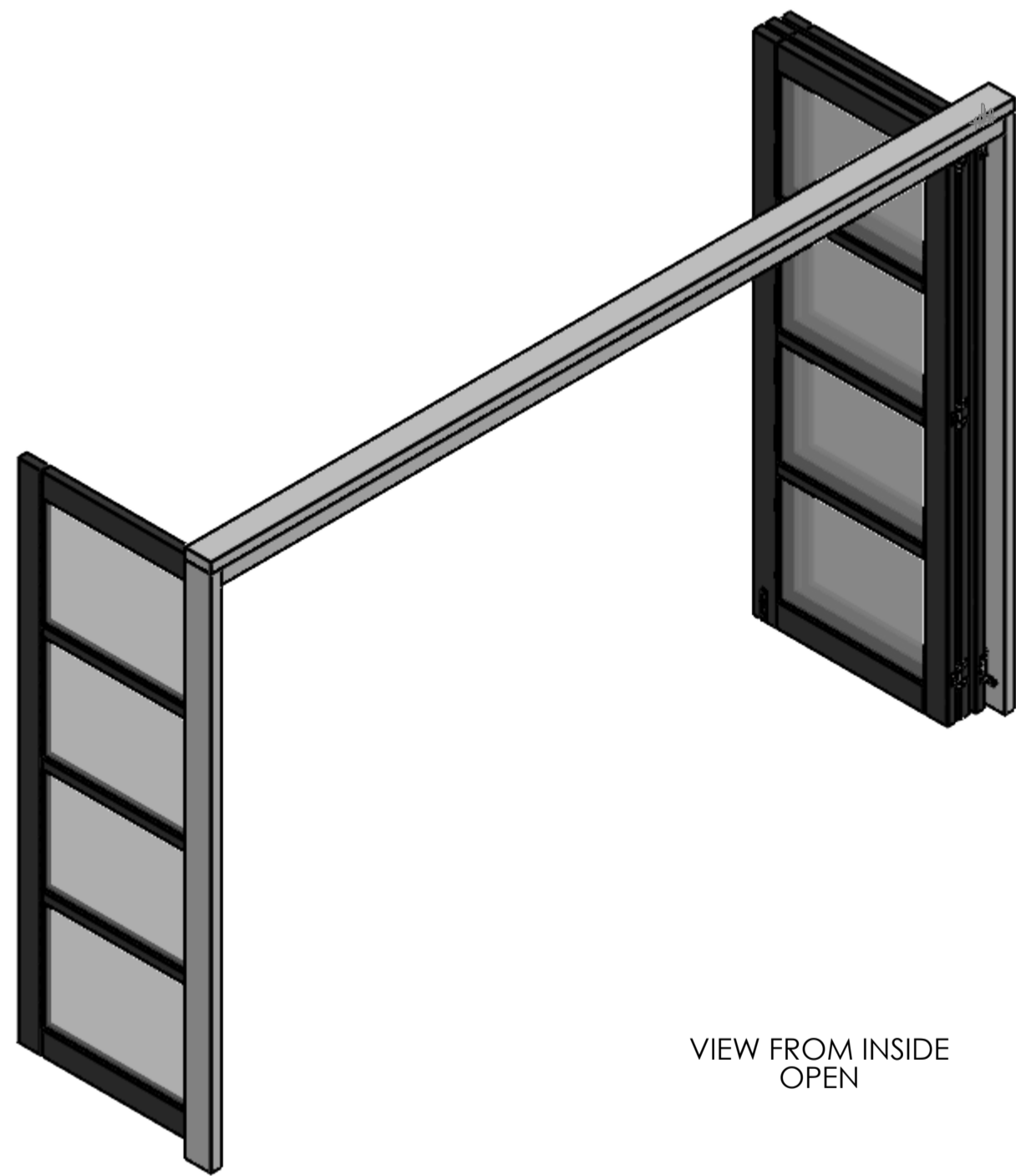
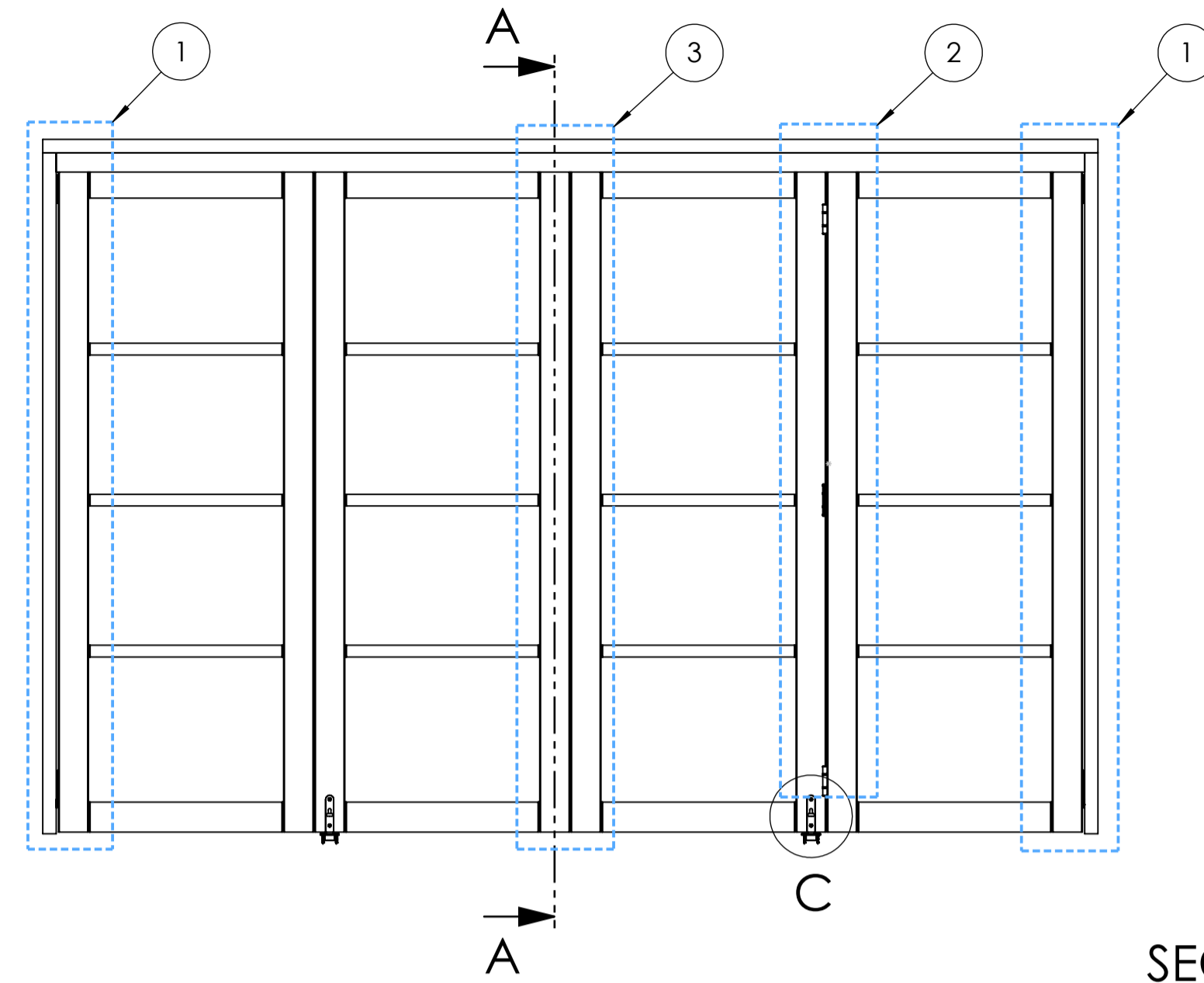


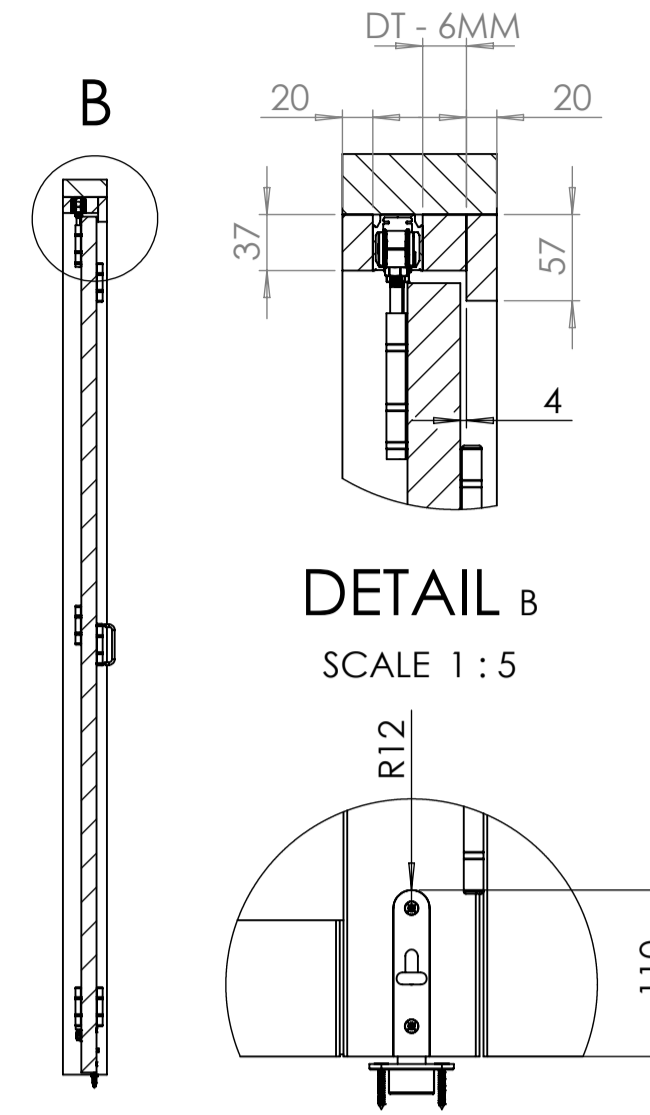
VIEW FROM INSIDE  
CLOSED



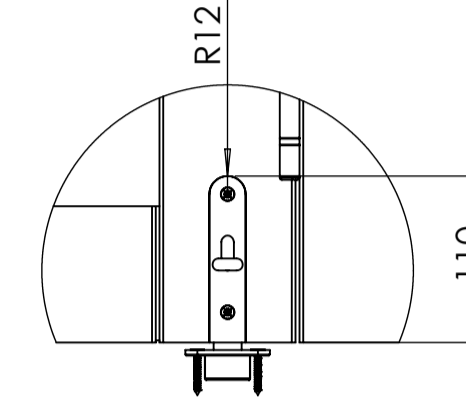
VIEW FROM INSIDE  
OPEN



VIEW FROM INSIDE  
CLOSED

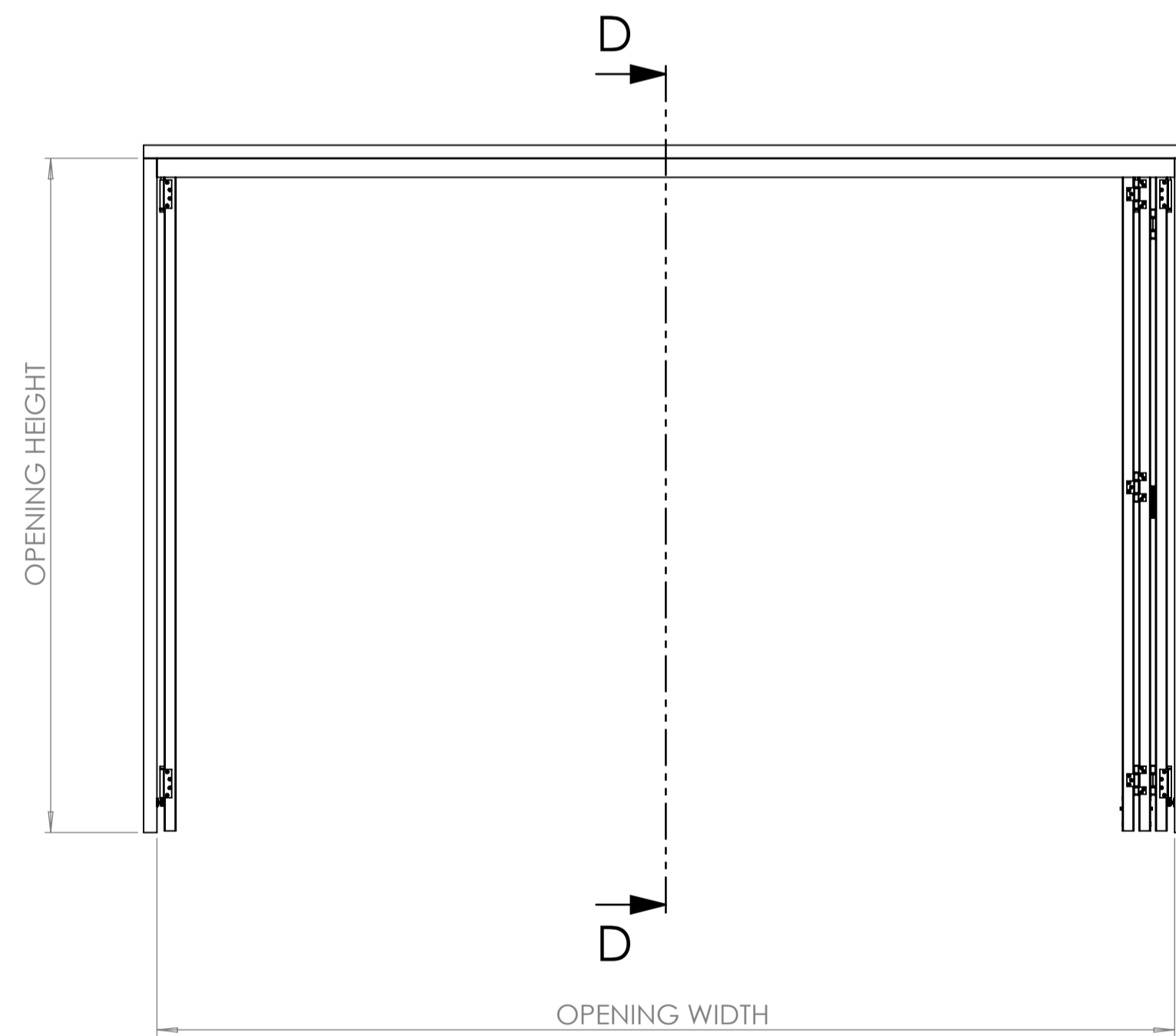


DETAIL B  
SCALE 1 : 5

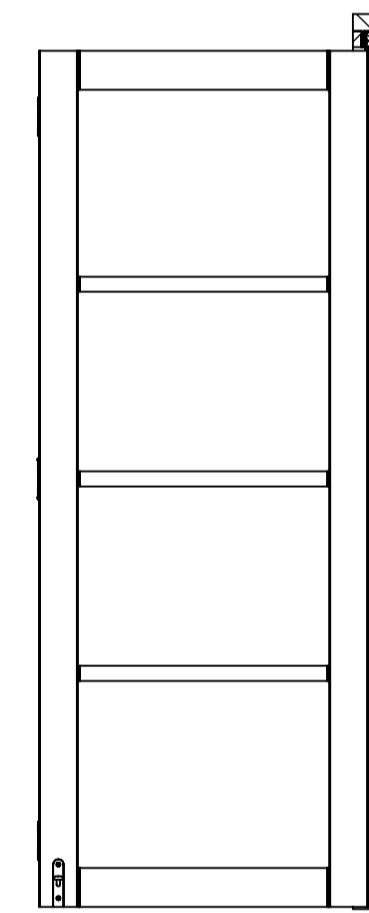


SECTION A-A  
SCALE 1 : 17.5

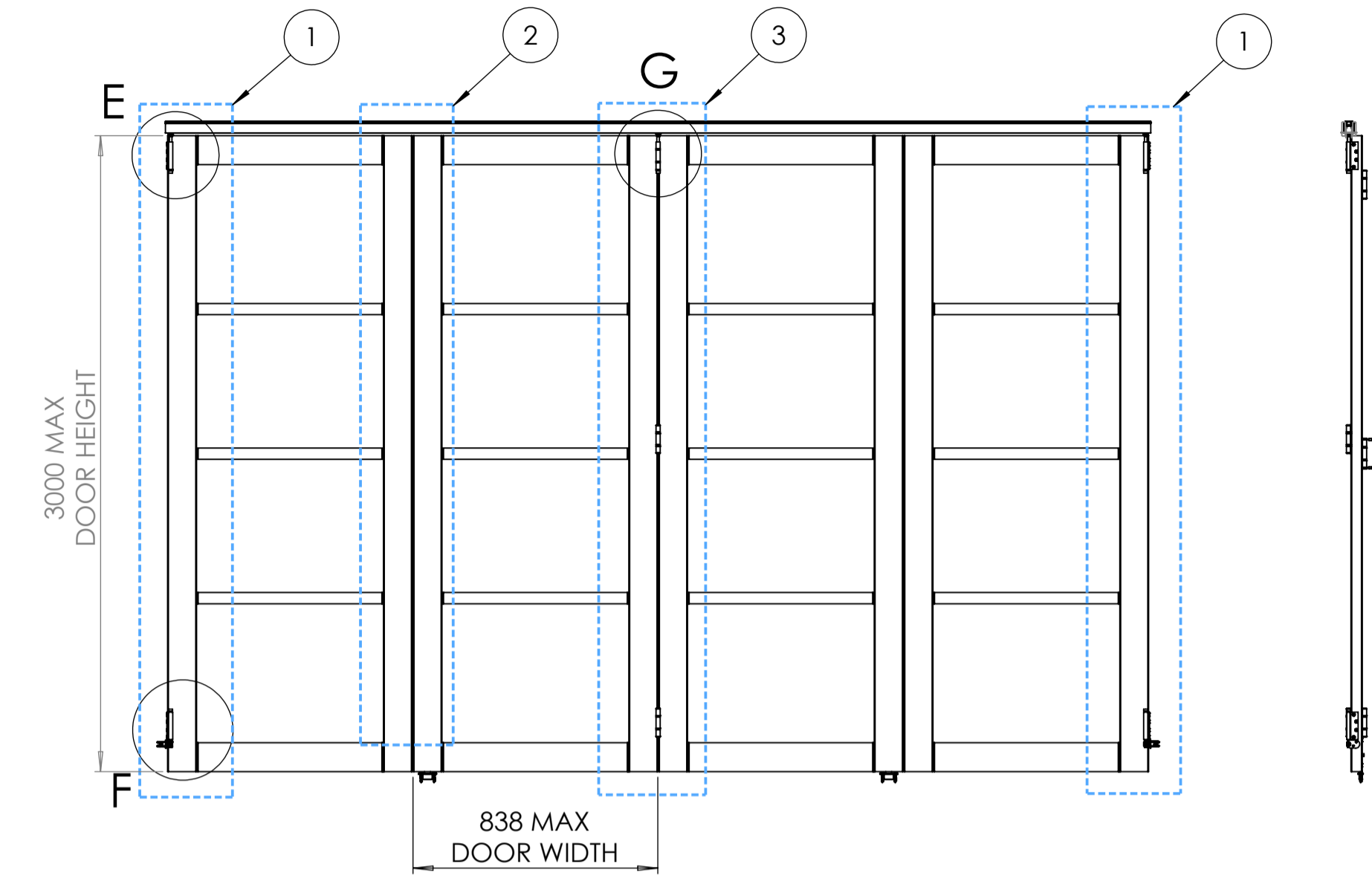
DETAIL C  
SCALE 1 : 5



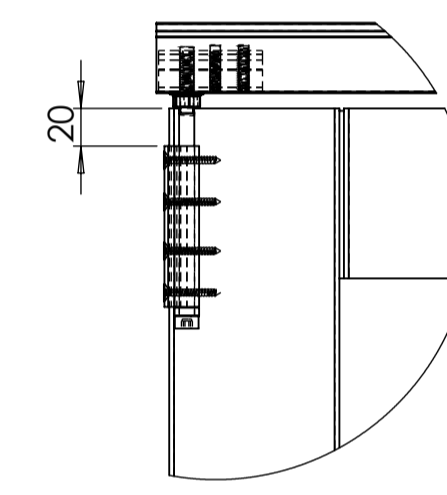
VIEW FROM INSIDE  
OPEN



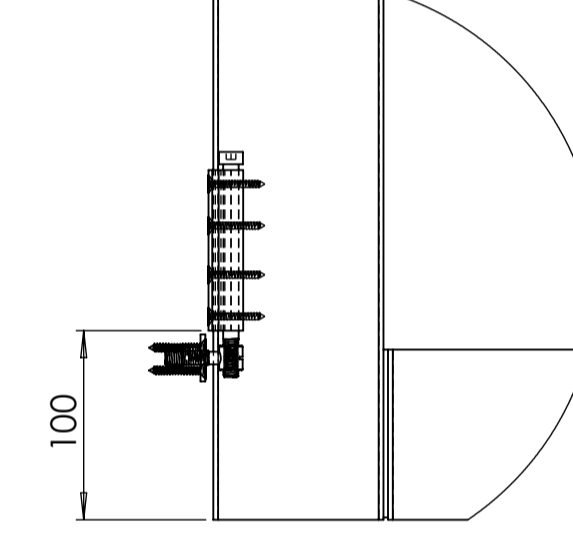
SECTION D-D  
SCALE 1 : 17.5



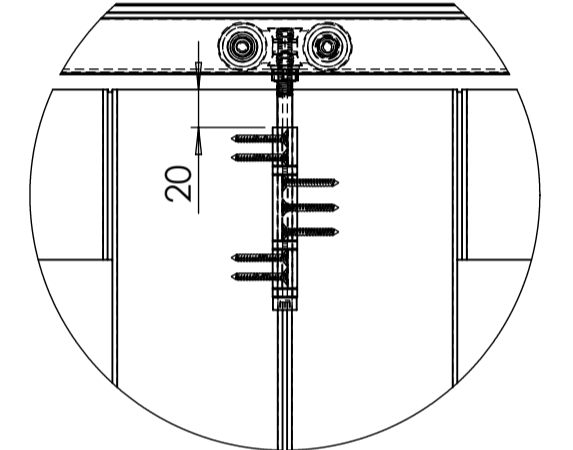
VIEW FROM OUTSIDE  
CLOSED



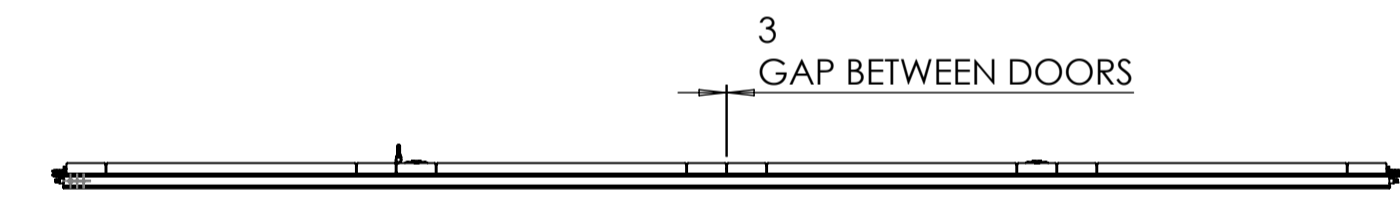
DETAIL E  
SCALE 1 : 4



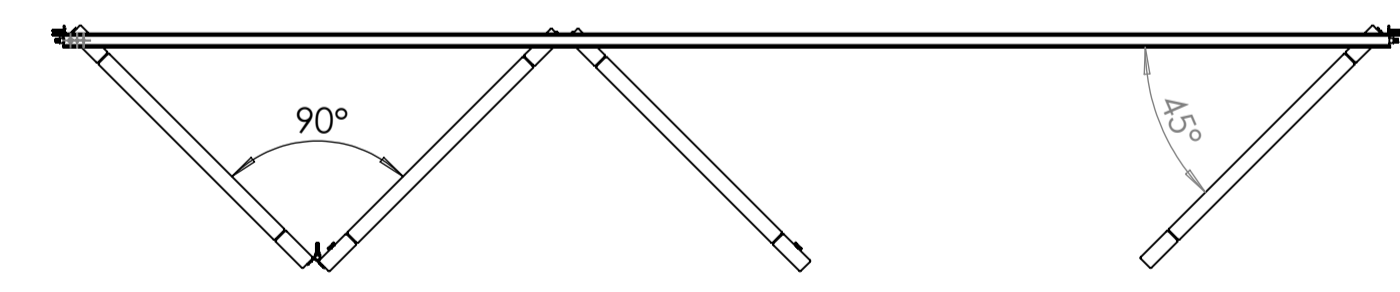
DETAIL F  
SCALE 1 : 4



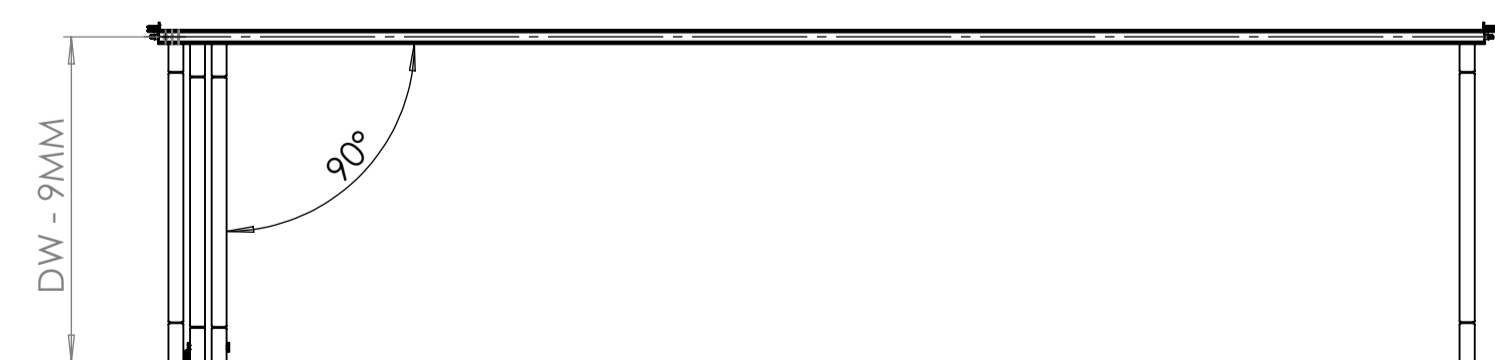
DETAIL G  
SCALE 1 : 4



DOORS CLOSED



DOORS HALF OPEN



DOORS OPEN

230208		
ITEM	DESCRIPTION	QUANTITY
1	ROOMFLEX 40 - PIVOT PACK	2
2	ROOMFLEX 40 - OFFSET HANDLE HINGE SET	1
3	ROOMFLEX PRO - MIDSET HANGER HINGE ASSEMBLY	1
4	FLUSH BOLT BRUSHED SATIN 110MM (NON LOCKING) FB110S	2

NOTE:  
- THIS SYSTEM IS USED FOR INTERNAL USE ONLY.  
FOR VIEWS STATING "INSIDE" / "OUTSIDE"; INSIDE REFERS TO THE ROOM THE HANDLE HINGE PULL IS BEING PULLED TOWARDS, TO CLOSE THE DOORS.

issue	cir no	date	dm.	ch.kd.	appd.	remarks
1	N/A	18/04/23	AC			FIRST RELEASE

Material SEE INDIVIDUAL COMPONENTS	Finish SEE INDIVIDUAL COMPONENTS	Scale 1:17.5 (A1)	Projection First Angle
P.C.HENDERSON LIMITED, DURHAM ROAD, BOWBLURN, COUNTY DURHAM DH6 5NG UNITED KINGDOM TELEPHONE: (0191) 377031		Part of ASSA ABLOY Document ID <b>230208</b> Rev: <b>1</b>	

This work is copyright and no part may be reproduced, by any process, nor may any other exclusive right be exercised without the permission of ASSA ABLOY.