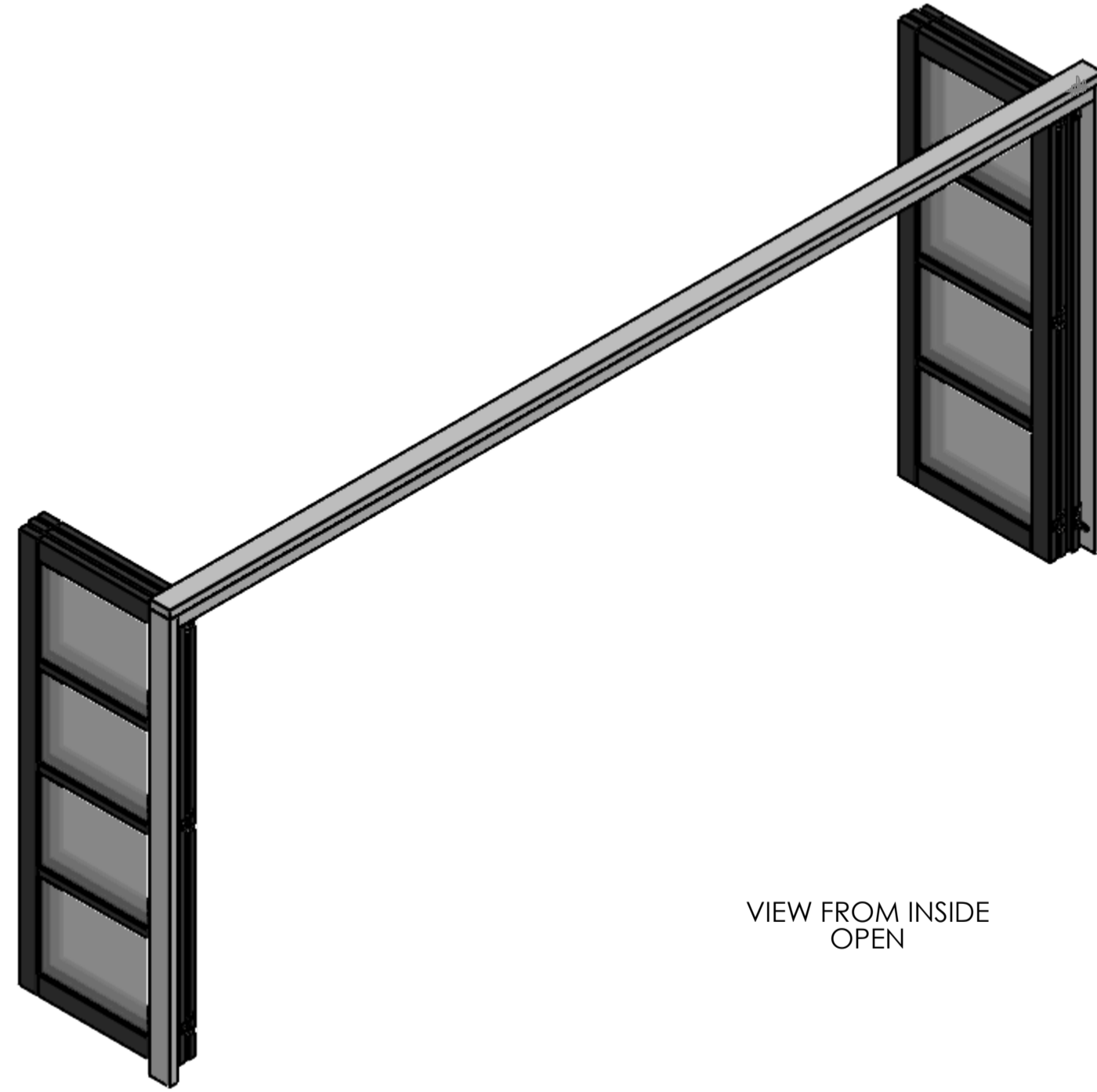
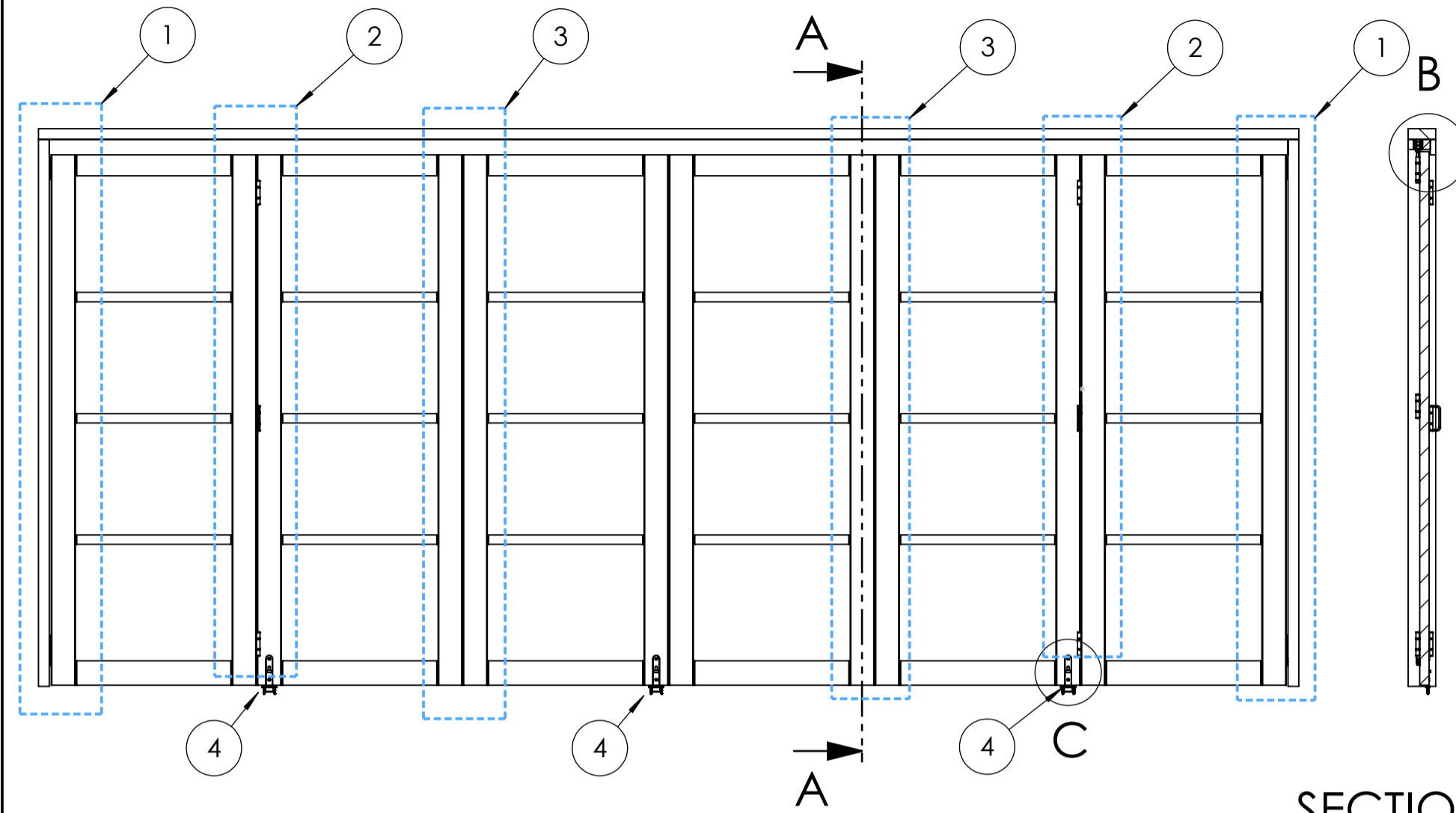


VIEW FROM INSIDE CLOSED

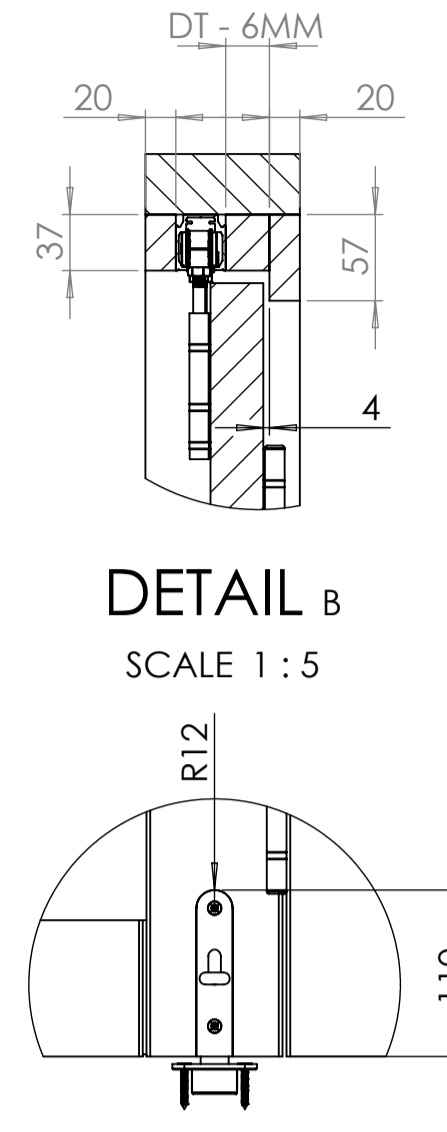


VIEW FROM INSIDE OPEN

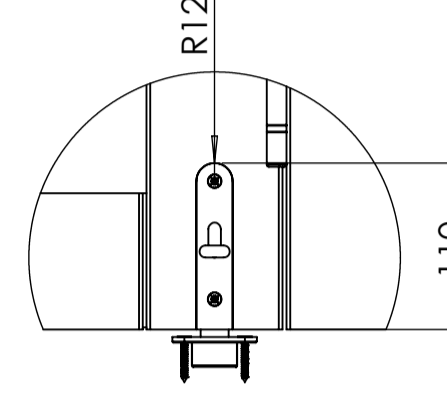


VIEW FROM INSIDE CLOSED

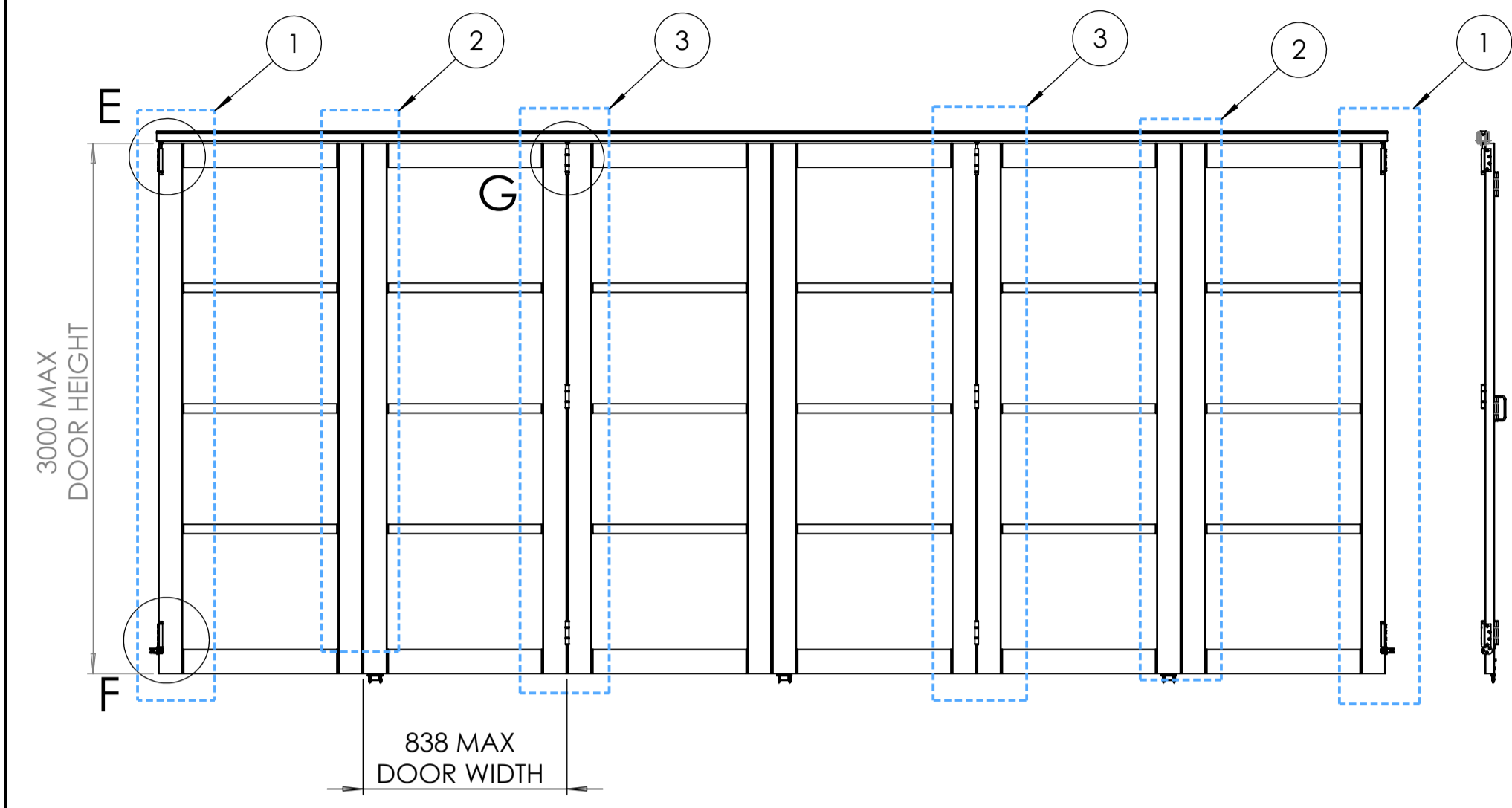
SECTION A-A
SCALE 1:21



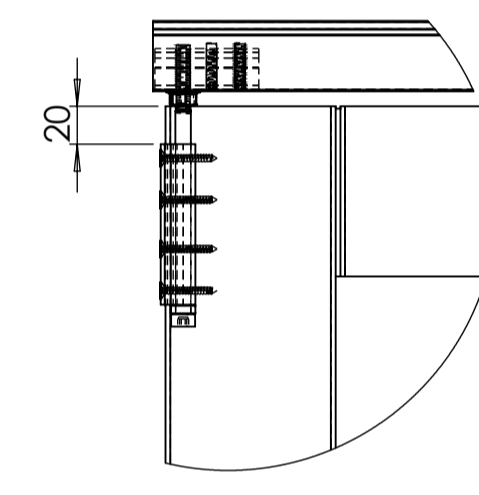
DETAIL B
SCALE 1:5



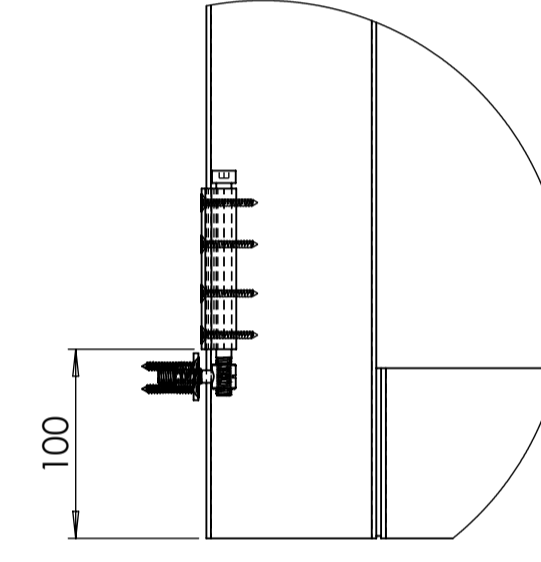
DETAIL C
SCALE 1:5



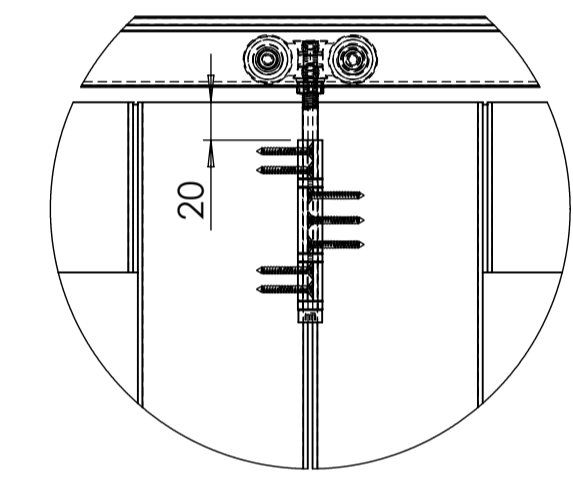
VIEW FROM OUTSIDE CLOSED



DETAIL E
SCALE 1:4



DETAIL F
SCALE 1:4



DETAIL G
SCALE 1:4



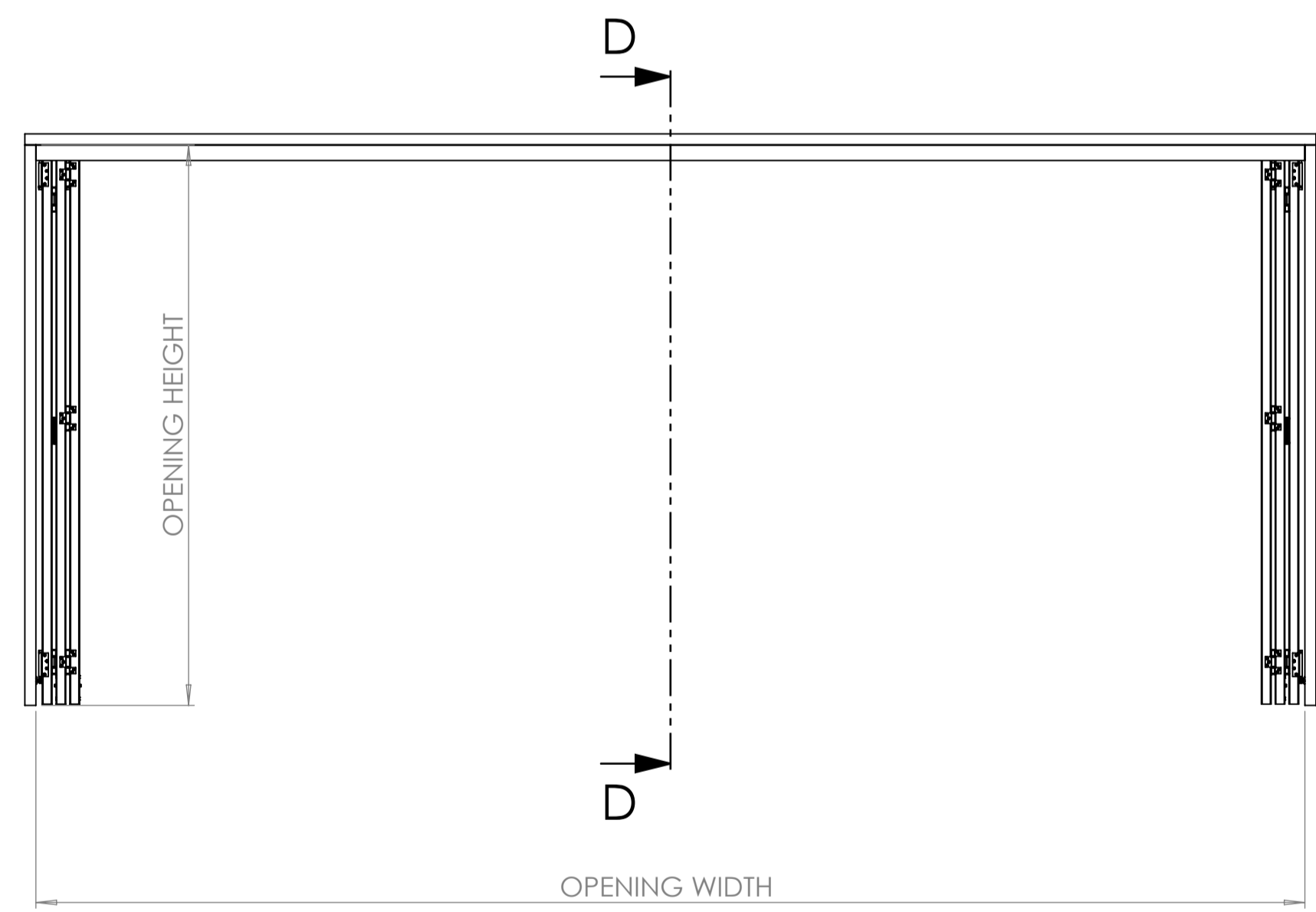
DOORS CLOSED



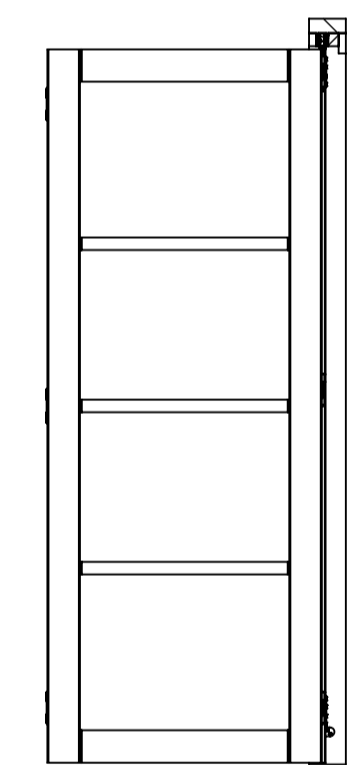
DOORS HALF OPEN



DOORS OPEN



VIEW FROM INSIDE OPEN



SECTION D-D
SCALE 1:21

230208		
ITEM	DESCRIPTION	QUANTITY
1	ROOMFLEX 40 - PIVOT PACK	2
2	ROOMFLEX 40 - OFFSET HANDLE HINGE SET	2
3	ROOMFLEX 40 - MIDSET HANGER HINGE ASSEMBLY	2
4	FLUSH BOLT BRUSHED SATIN 110MM (NON LOCKING) FB110S	3

NOTE:
- THIS SYSTEM IS USED FOR INTERNAL USE ONLY.
FOR VIEWS STATING "INSIDE" / "OUTSIDE"; INSIDE REFERS TO THE ROOM THE HANDLE HINGE PULL IS BEING PULLED TOWARDS, TO CLOSE THE DOORS.

issue	cir no	date	dm.	ch.kd.	appd.	remarks
1	N/A	18/04/23	AC			FIRST RELEASE

Material SEE INDIVIDUAL COMPONENTS	Finish SEE INDIVIDUAL COMPONENTS	Scale 1:17.5 (A1)	Projection First Angle
HENDERSON <small>P.C. HENDERSON LIMITED, DURHAM ROAD, BOWBURN, COUNTY DURHAM DH6 5NG UNITED KINGDOM. TELEPHONE: (0191) 377001</small>		ASSA ABLOY <small>Part of ASSA ABLOY</small>	
3+3 - ROOMFLEX 40		Document ID 230216	Rev. 1

This work is copyright and no part may be reproduced, by any process, nor may any other exclusive right be exercised without the permission of ASSA ABLOY.