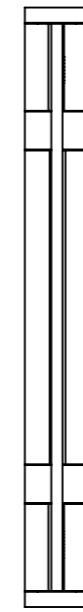
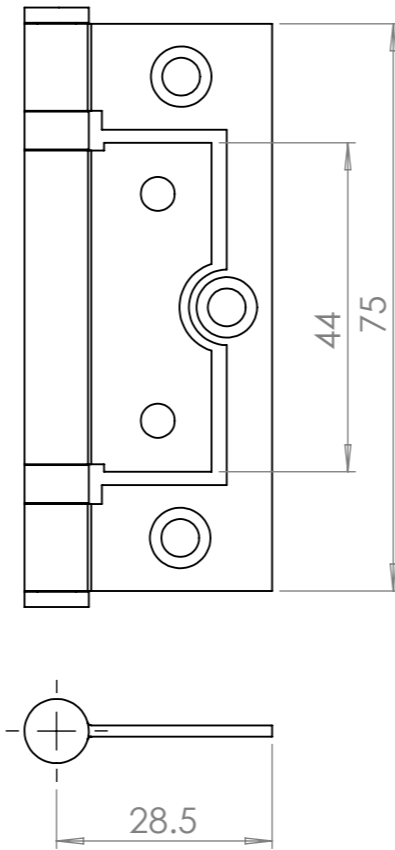
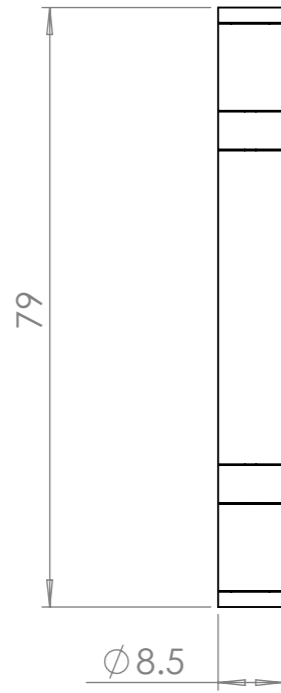
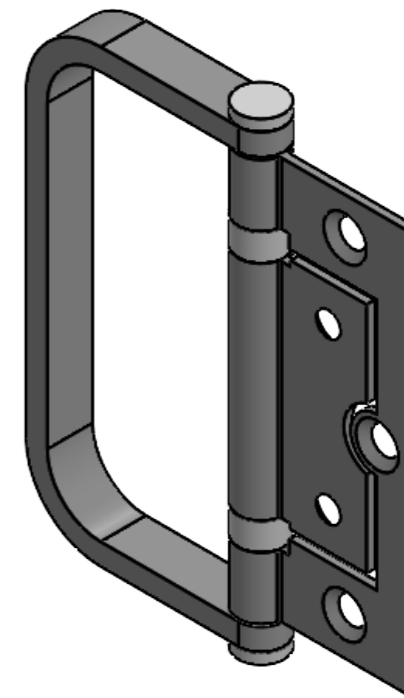
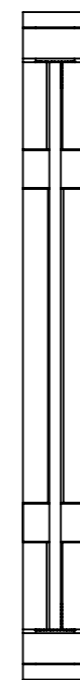
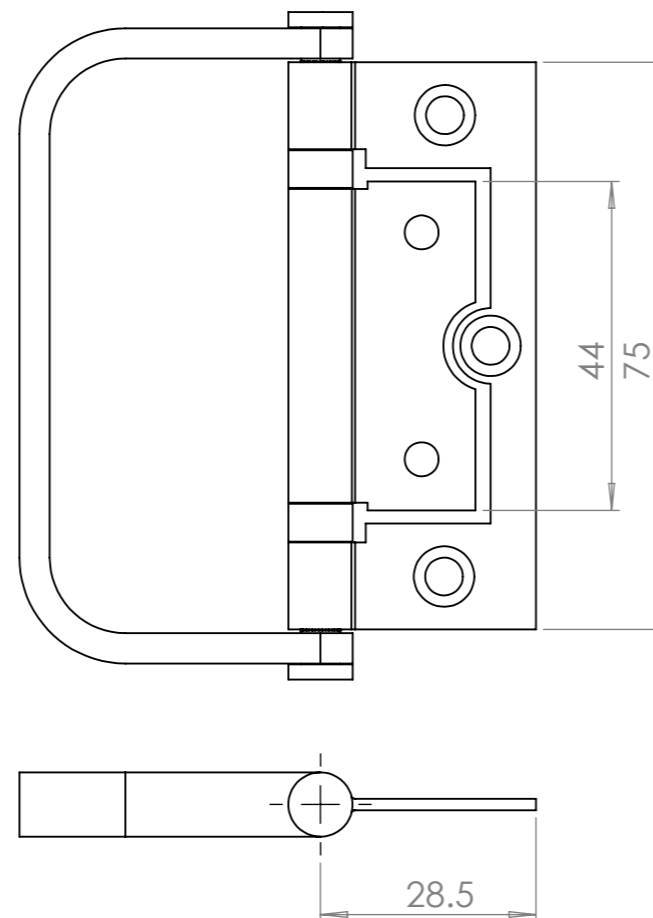
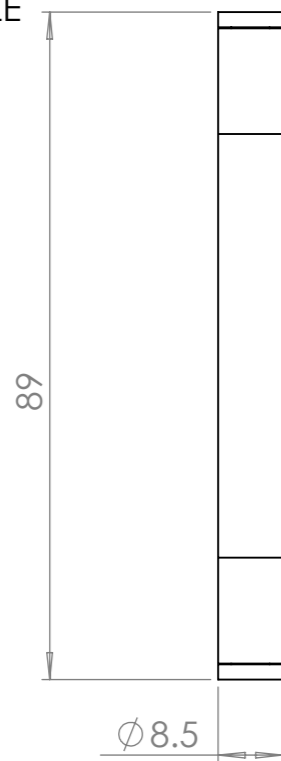


This work is copyright and no part may be reproduced, by any process, nor may any other exclusive right be exercised without the permission of ASSA ABLOY.

HINGE  
- QUANTITY: 2



HINGE WITH HANDLE  
- QUANTITY: 1



Document ID:  
370952

Alternative ID:  
HF/282H - HUSKYFOLD 30 - HINGE HANDLE SET

**HENDERSON**

P.C.HENDERSON LIMITED, DURHAM ROAD, BOWBURN,  
COUNTY DURHAM DH6 5NG UNITED KINGDOM  
TELEPHONE: (0191) 3770701

**ASSA ABLOY**  
Tel: 0191 3770701

Drawing Size:	A3
Scale:	DNS
Revision:	A