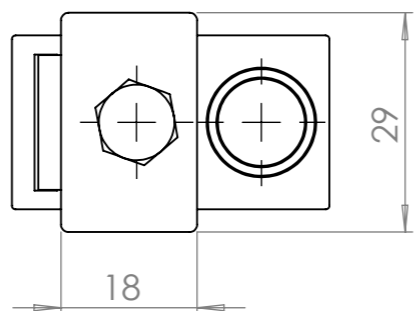
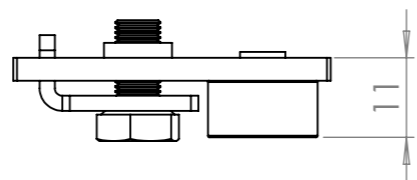
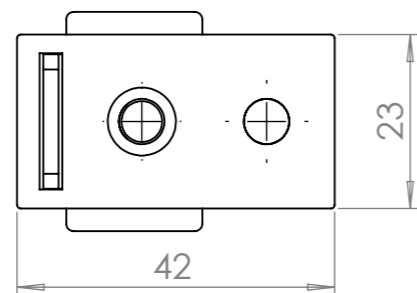
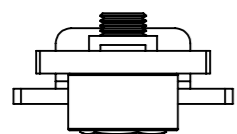
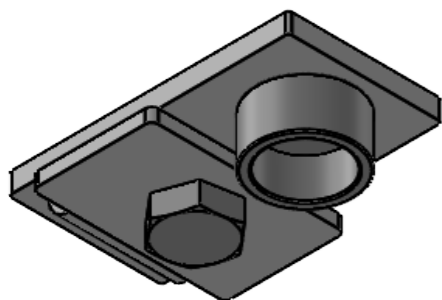
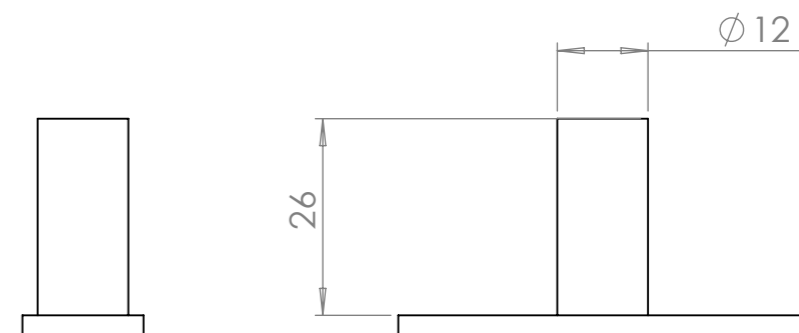
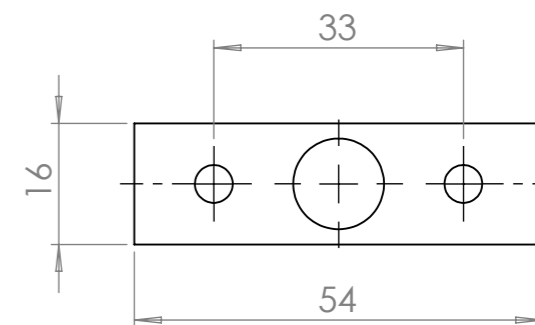
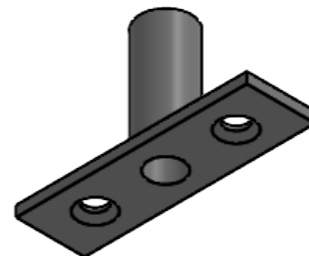


This work is copyright and no part may be reproduced, by any process, nor may any other exclusive right be exercised without the permission of ASSA ABLOY.

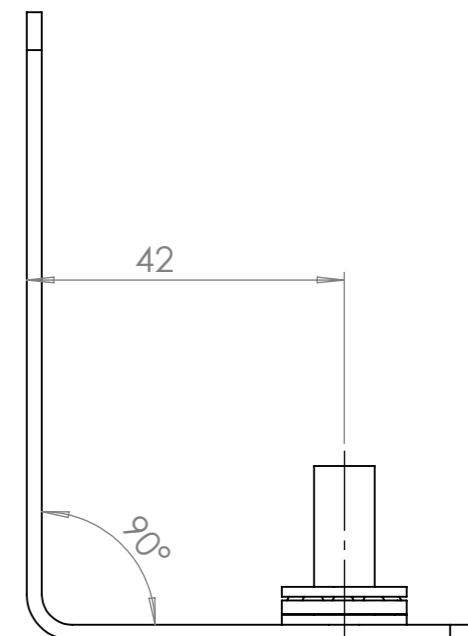
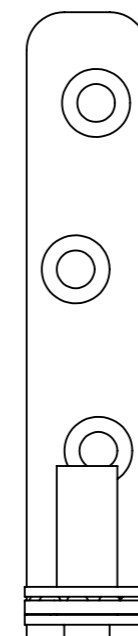
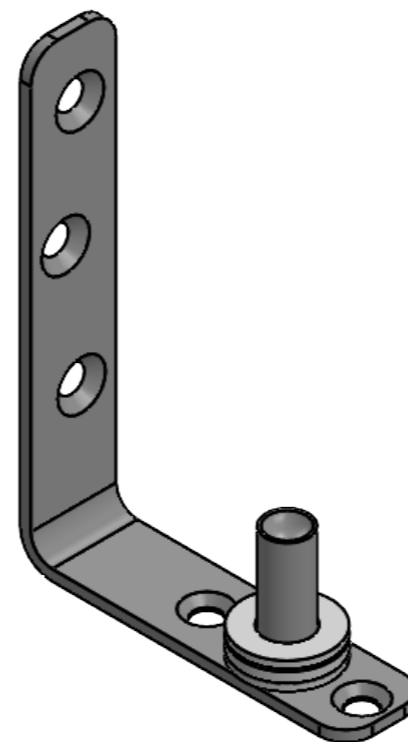
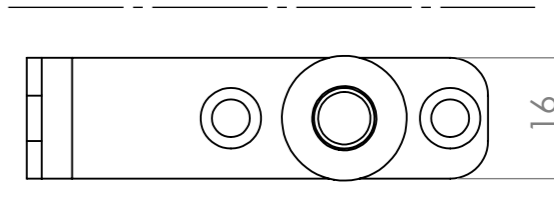
TOP PIVOT
- TRACK CLAMP



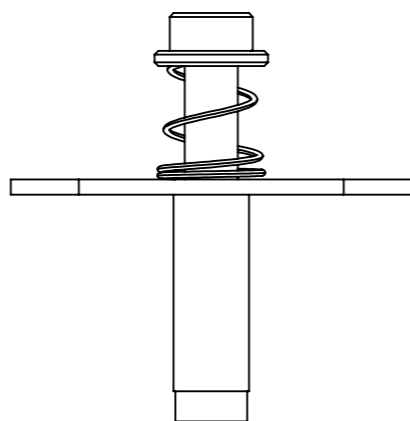
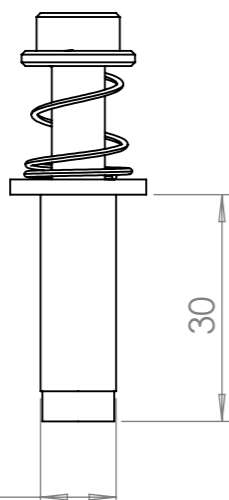
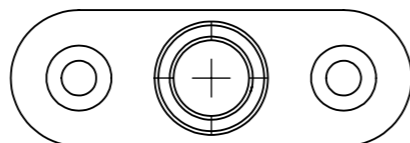
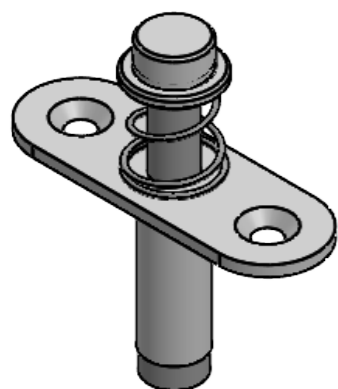
BOTTOM PIVOT
- DOOR INSERT



BOTTOM PIVOT
- FLOOR/JAMB BRACKET



TOP PIVOT
- DOOR INSERT



Document ID:
370953

Alternative ID:
HF30/PIVOT SET - HUSKYFOLD 30 - PIVOT SET

HENDERSON

P.C.HENDERSON LIMITED, DURHAM ROAD, BOWBURN,
COUNTY DURHAM DH6 5NG UNITED KINGDOM
TELEPHONE: (0191) 3770701

ASSA ABLOY
The ASSA ABLOY Group

Drawing Size:	A3
Scale:	DNS
Revision:	A