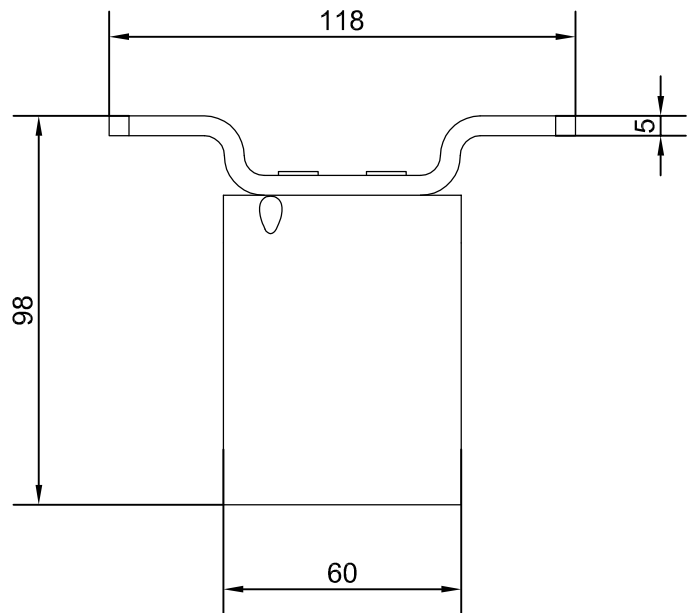
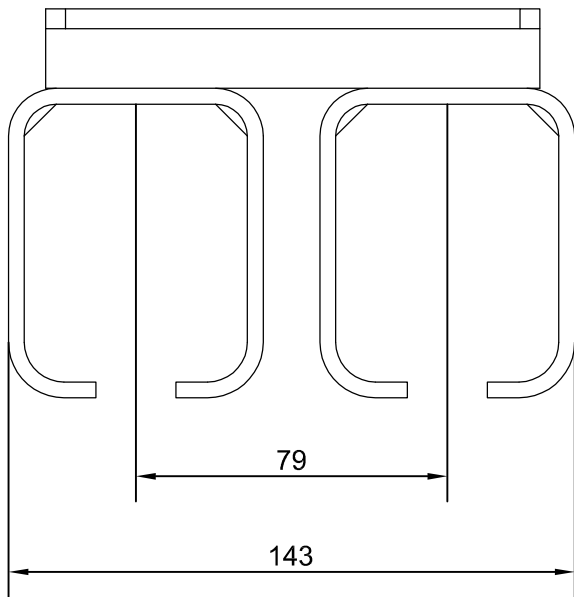


Ø14 x 4 HOLES



Description:
6/301S BRACKET

PCH-code: 711520

CAD-scale: - - - -

Drawing-size: A4

Revision: A

HENDERSON

P.C.HENDERSON LIMITED, BOWBURN, DURHAM DH6 5NG ENGLAND
Telephone: (0191) 3770701 Fax No.: (0191) 3771309

.....
www.pchenderson.com