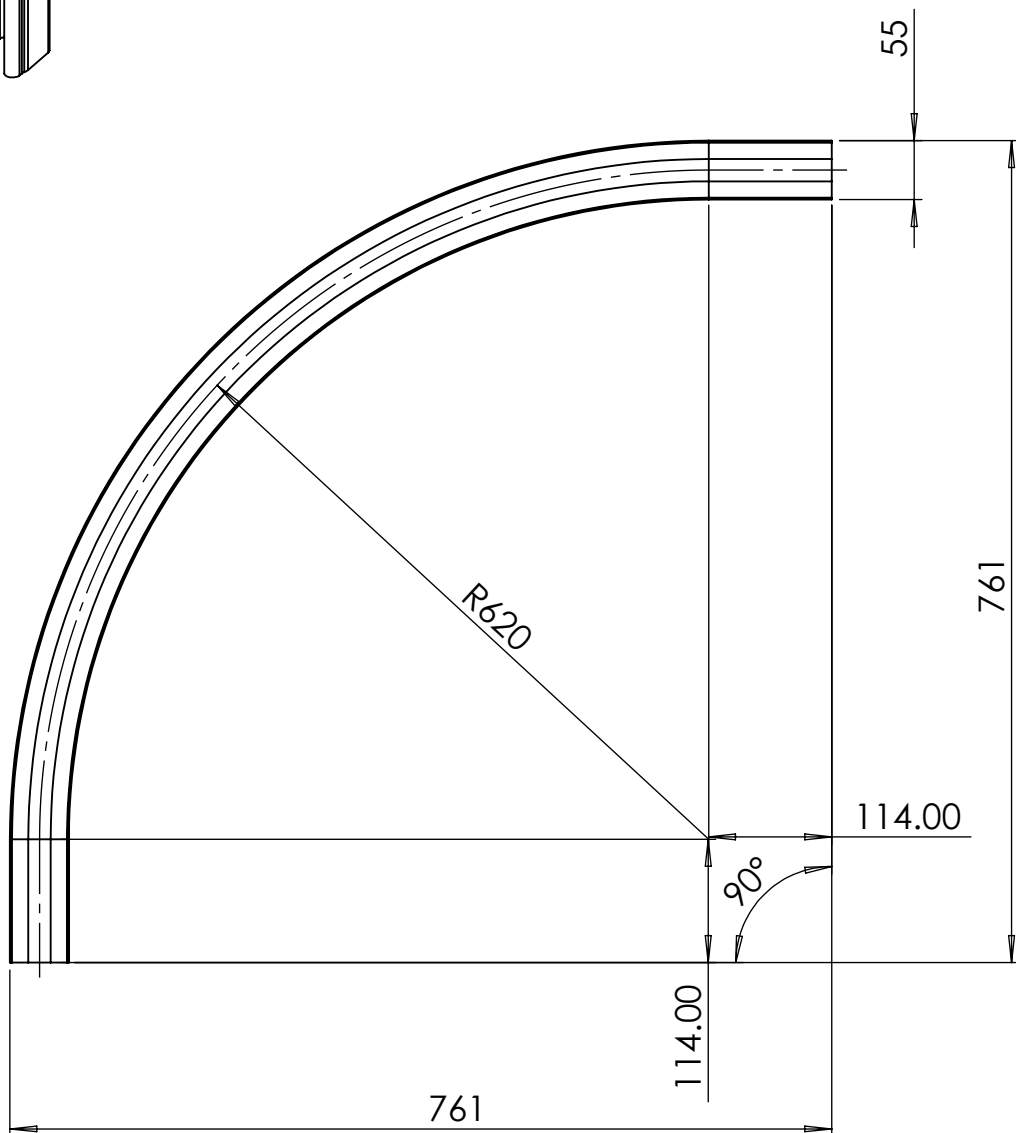
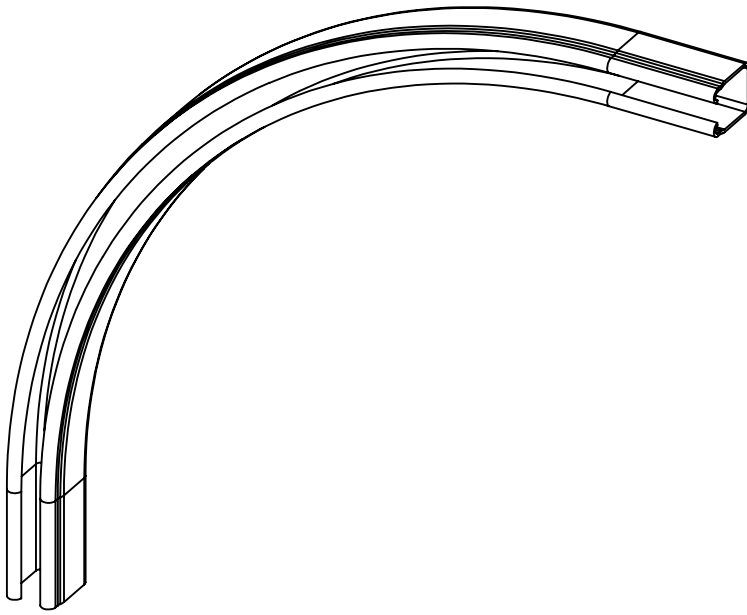


This work is copyright and no part may be reproduced, by any process, nor may any other exclusive right be exercised without the permission of ASSA ABLOY.



Document ID:
600BH - TRACKCURVE

Alternative ID:
809249

HENDERSON

P.C.HENDERSON LIMITED, DURHAM ROAD, BOWBURN,
COUNTY DURHAM DH6 5NG UNITED KINGDOM
TELEPHONE: (0191) 3770701

ASSA ABLOY
Security Solutions

Drawing Size:	A4
Scale:	NTS
Revision:	A