

600

61B

403

106N/94

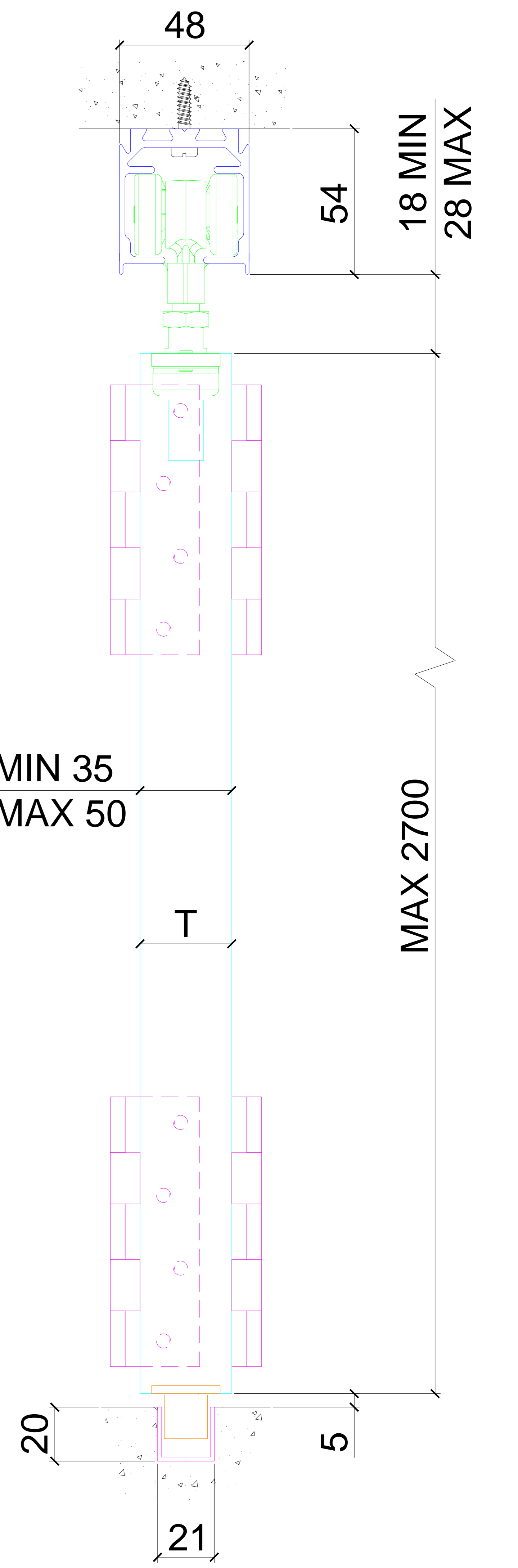
94X

$1/2W - (T/2)$

MAX 900 (W)

140

102



48

54

18 MIN
28 MAX

MIN 35
MAX 50

T

MAX 2700

20

5

21

NOTES:
1. DRAWING IS FOR REFERENCE AND SUBJECT TO CHANGE WITHOUT NOTICE.
2. APPLICATION IS FOR WOOD PARTITION DOORS, WEIGHT MAX 35kg.
3. ALL DIMENSIONS ARE IN MILLIMETERS.

Description:	600 - PACER CENTREFOLD
PCH-code:	600/61B/106N/94
CAD-scale:	----
Drawing-size:	A0
Revision:	A

HENDERSON
www.pchenderson.com