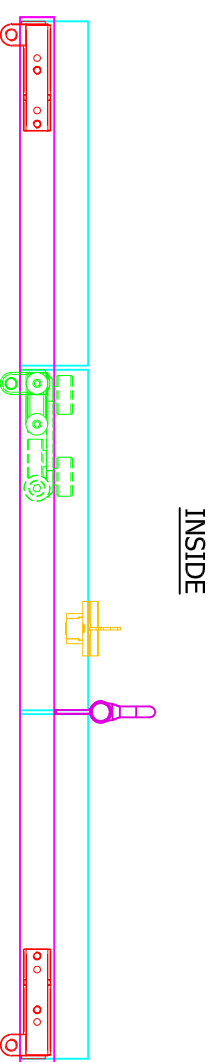
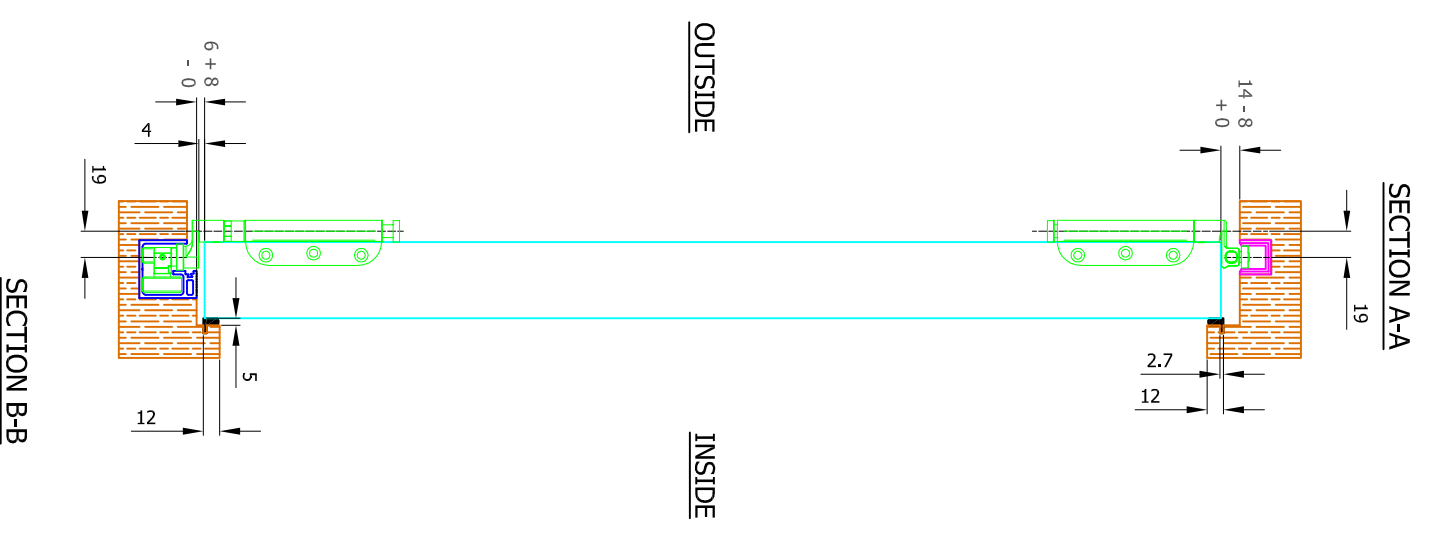
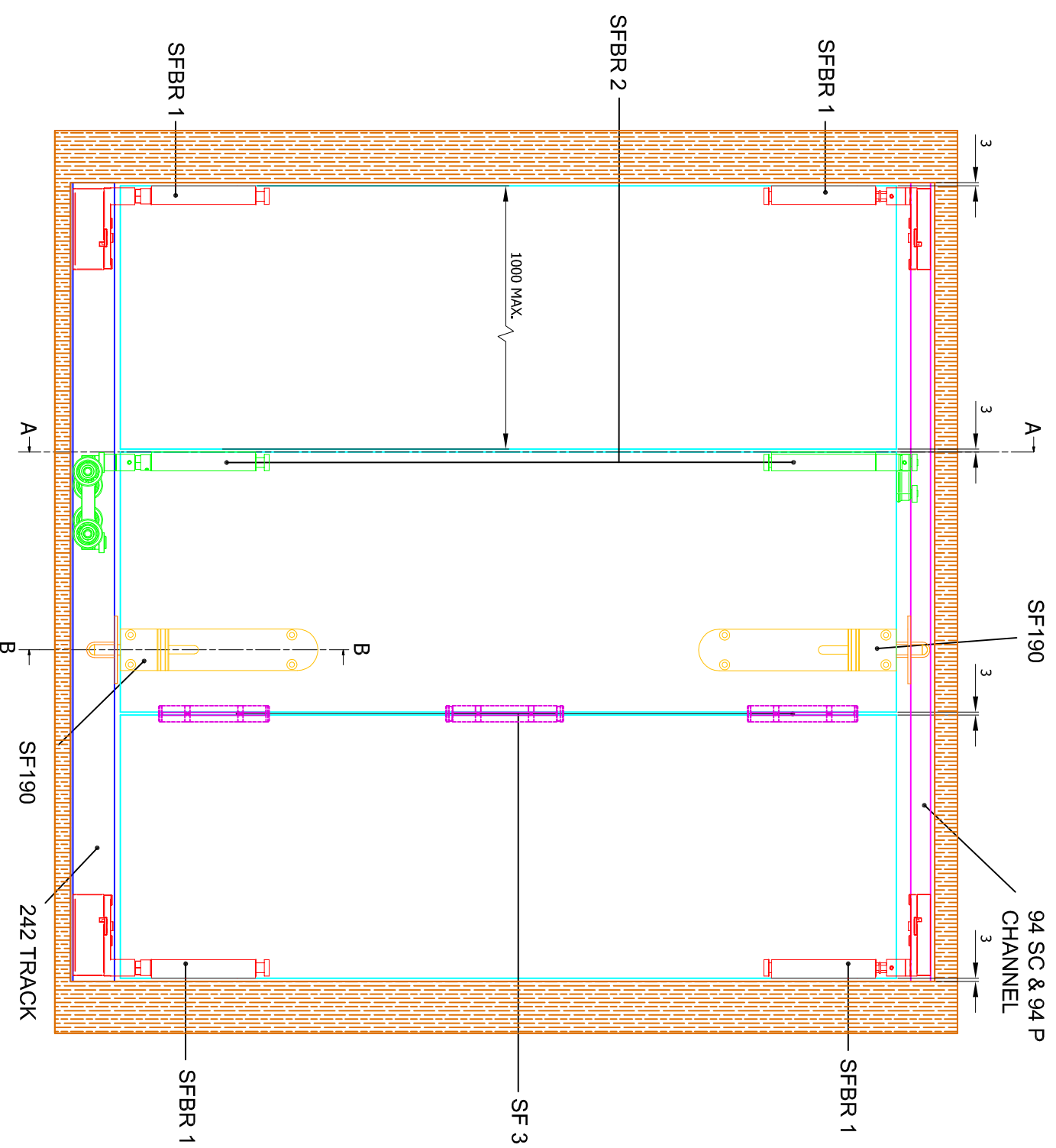
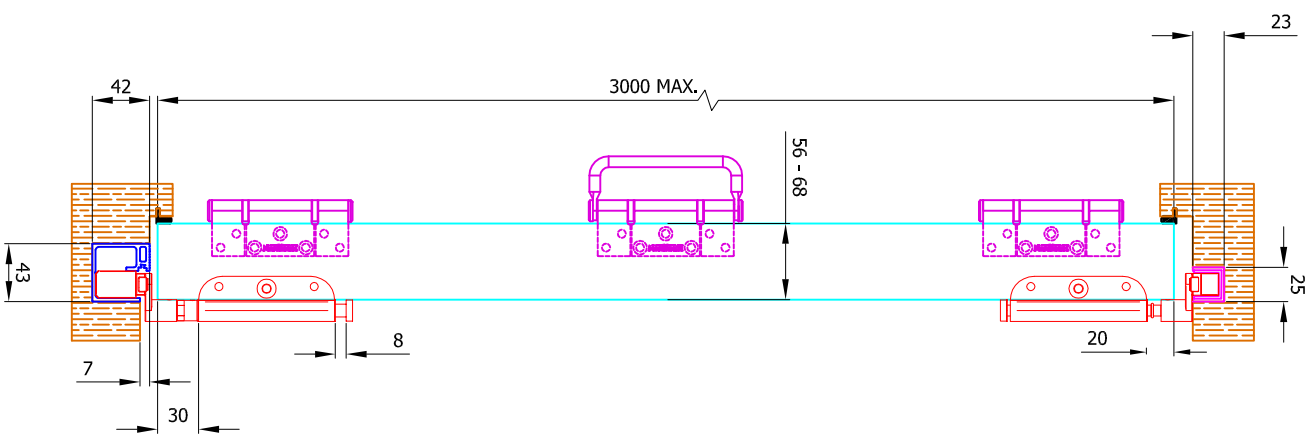
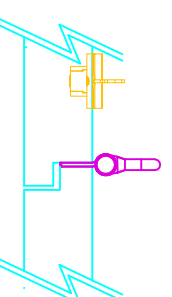


DIMENSION 43mm IS TRACK WIDTH.  
ALLOW 1mm GAPS EITHER SIDE FOR  
MOVEMENT.



VIEW C: EXAMPLE  
REBATED DOOR



- NOTES:
1. DRAWING IS FOR REFERENCE AND SUBJECT TO CHANGE WITHOUT NOTICE.
  2. APPLICATION IS FOR EXTERNAL TIMBER FOLDING DOORS WEIGHT MAX 80kg - OUTWARD OPENING SYSTEM ONLY
  3. SQUARE EDGE DOORS ARE SHOWN, SYSTEM CAN BE USED ON REBATED DOORS - REBATE SHOULD BE OPPOSITE SIDE TO HARDWARE - SEE VIEW C
  4. REFER TO FITTING INSTRUCTIONS FOR ROUTING DETAILS REQUIRED
  5. 190mm FLUSHBOLTS SHOWN ALTERNATIVE SIZES ARE AVAILABLE - 450 AND 600mm.
  6. FOR DOORS BETWEEN 56 & 68mm THICK
  7. ALL DIMENSIONS ARE IN MILLIMETERS.

Description:	SFBR
PCH-code:	OUTWARD OPENING 2 + 1
CAD-scale:	SFBR O/W 2 + 1
Drawing-size:	A3
Revision:	A