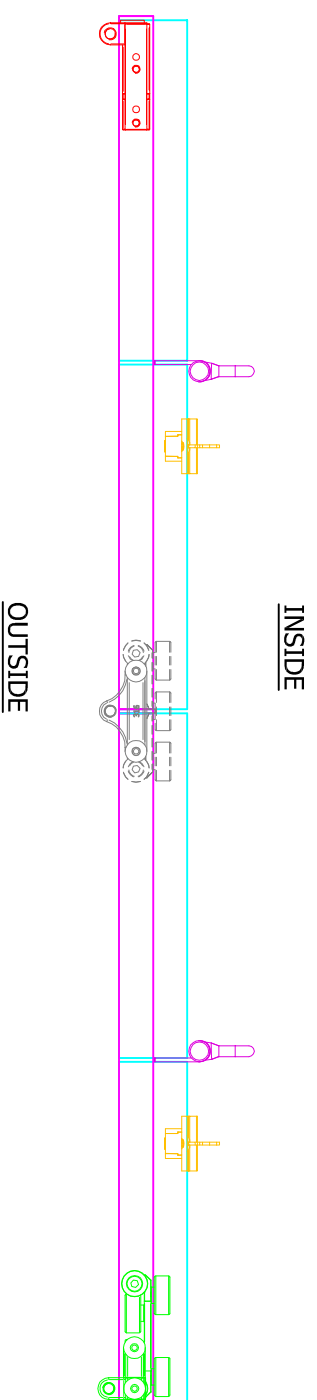
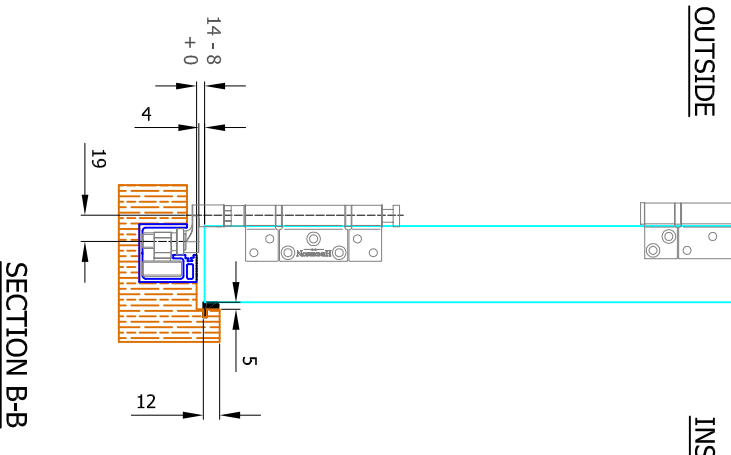
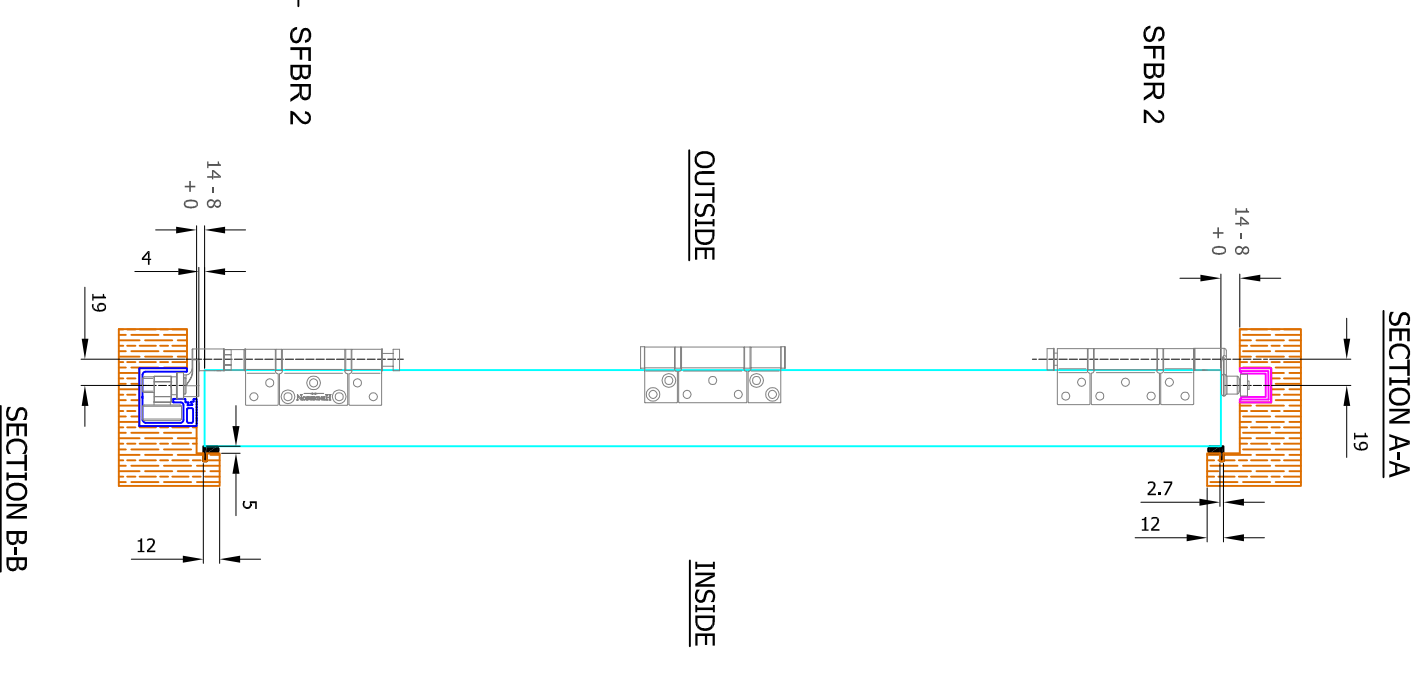
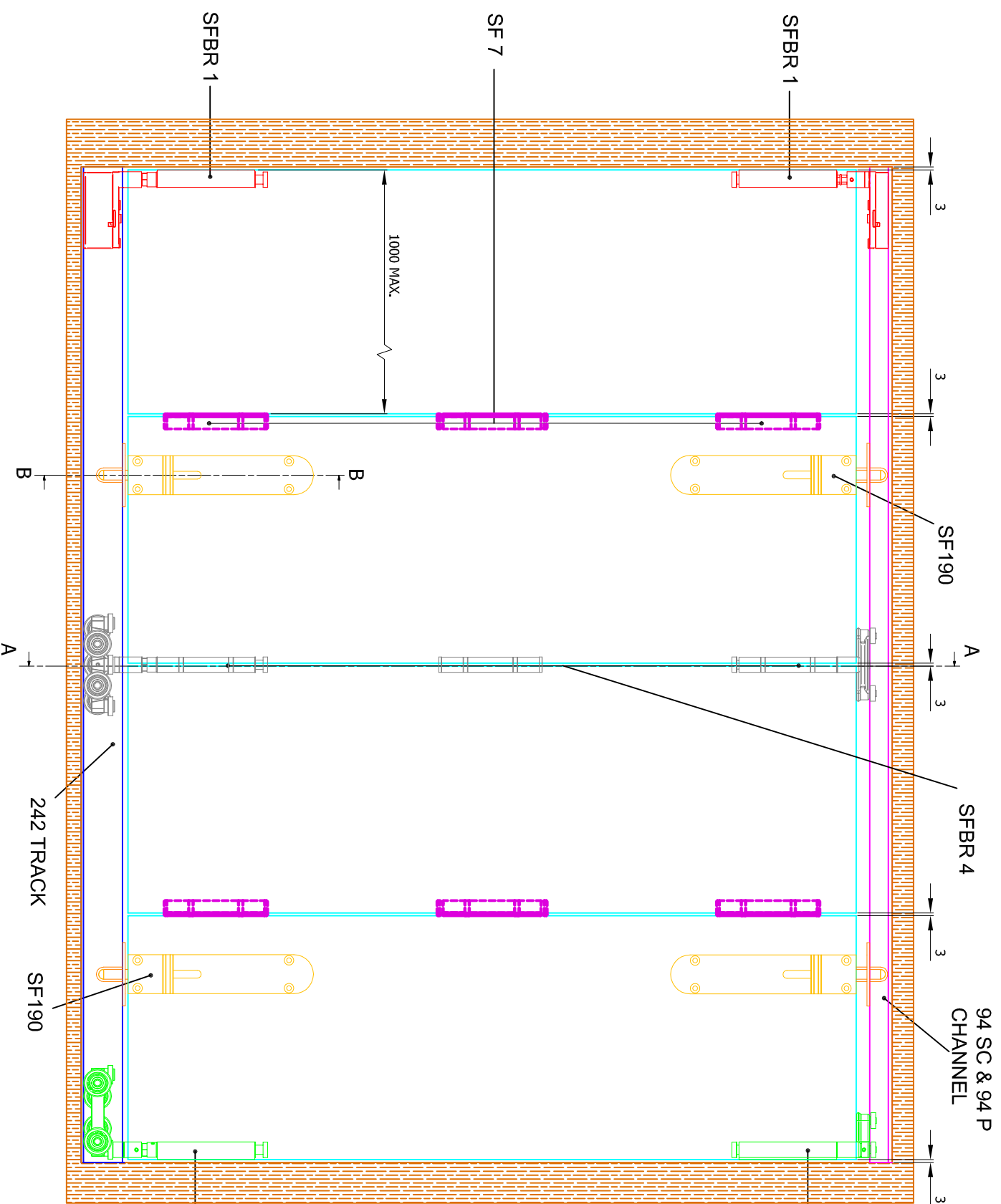
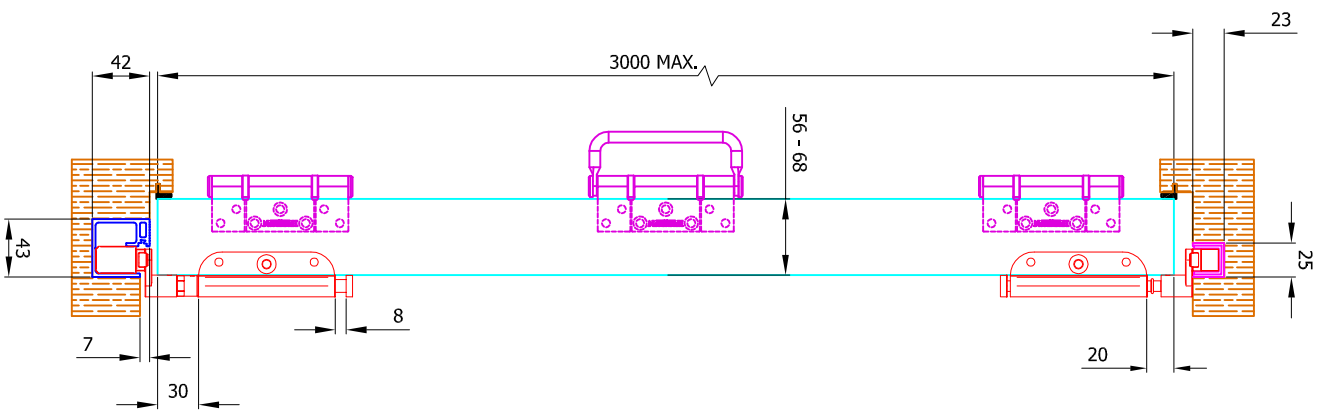
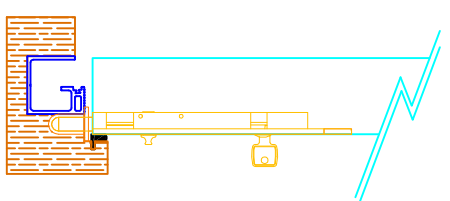


DIMENSION 43mm IS TRACK WIDTH.
ALLOW 1mm GAPS EITHER SIDE FOR
MOVEMENT.



VIEW C: EXAMPLE
REBATED DOOR



- NOTES:
1. DRAWING IS FOR REFERENCE AND SUBJECT TO CHANGE WITHOUT NOTICE.
 2. APPLICATION IS FOR EXTERNAL TIMBER FOLDING DOORS WEIGHT MAX 80kg - OUTWARD OPENING SYSTEM ONLY
 3. SQUARE EDGE DOORS ARE SHOWN, SYSTEM CAN BE USED ON REBATED DOORS - REBATE SHOULD BE OPPOSITE SIDE TO HARDWARE - SEE VIEW C
 4. REFER TO FITTING INSTRUCTIONS FOR ROUTING DETAILS REQUIRED
 5. 190mm FLUSHBOLTS SHOWN ALTERNATIVE SIZES ARE AVAILABLE - 450 AND 600mm.
 6. FOR DOORS BETWEEN 56 & 68mm THICK
 7. ALL DIMENSIONS ARE IN MILLIMETERS.

Describer:	SFBR
OUTWARD OPENING 4 + 0	
PCH-code:	SFBR O/W 4 + 0
CAD-scale:	A3
Drawing-size:	A3
Revision:	A