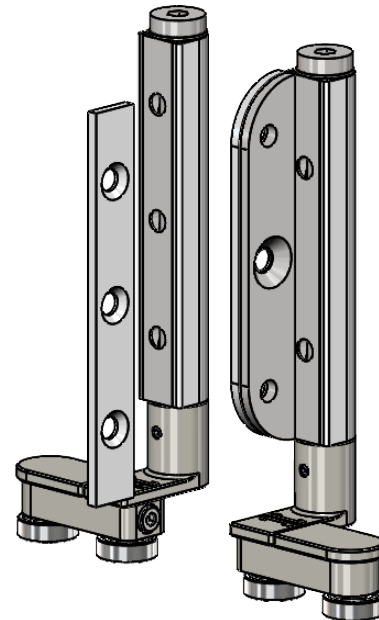
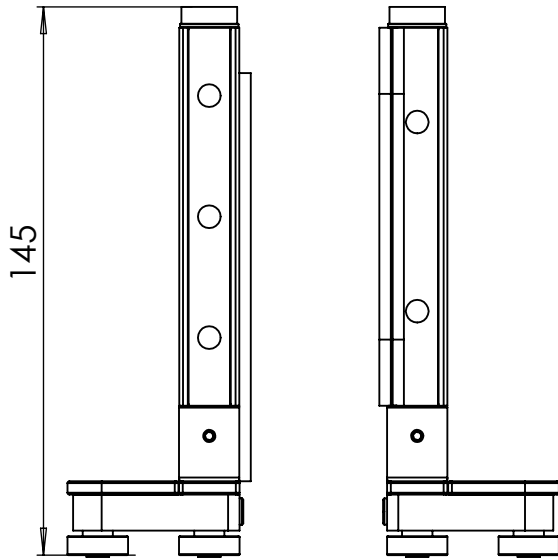
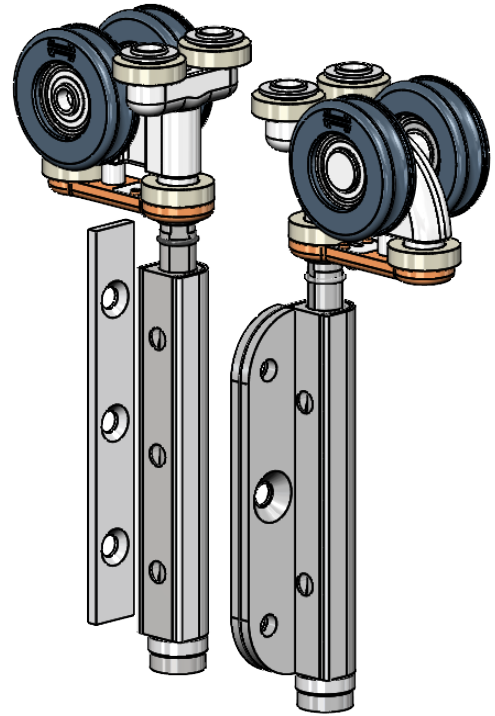
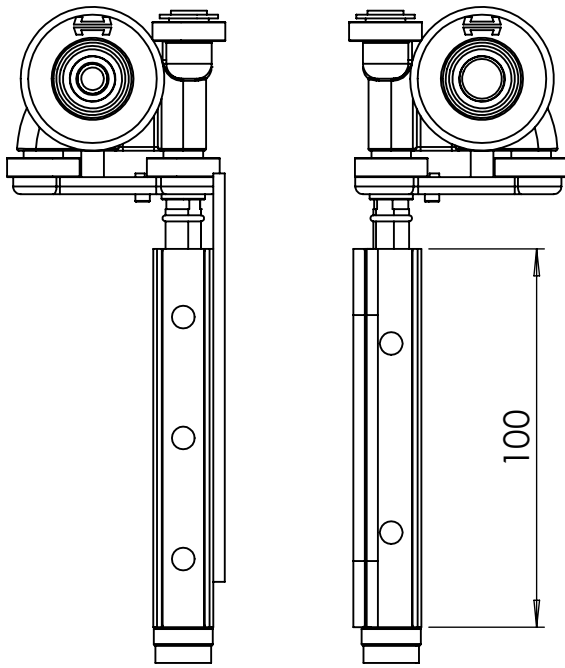


This work is copyright and no part may be reproduced, by any process, nor may any other exclusive right be exercised without the permission of ASSA ABLOY.



Document ID:
SFP8 END HANGER SET

Alternative ID:
269080

HENDERSON

P.C.HENDERSON LIMITED, DURHAM ROAD, BOWBURN,
COUNTY DURHAM DH6 5NG UNITED KINGDOM
TELEPHONE: (0191) 3770701

ASSA ABLOY
MULTI-LOCK

Drawing Size:

A4

Scale:

1:2

Revision:

A

SHEET 1 OF 1