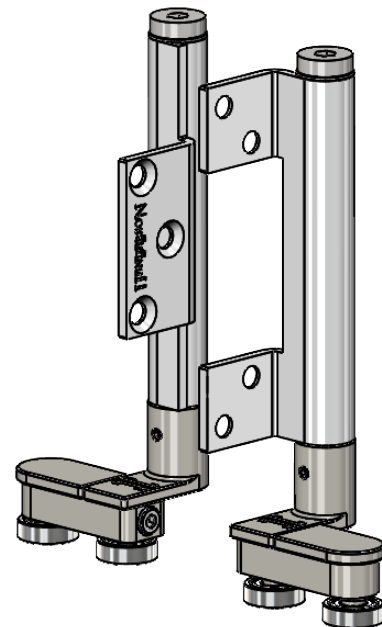
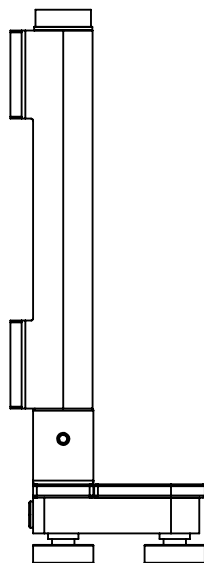
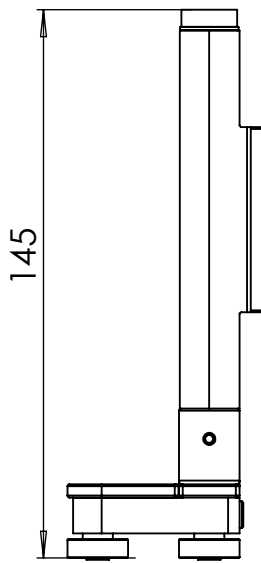
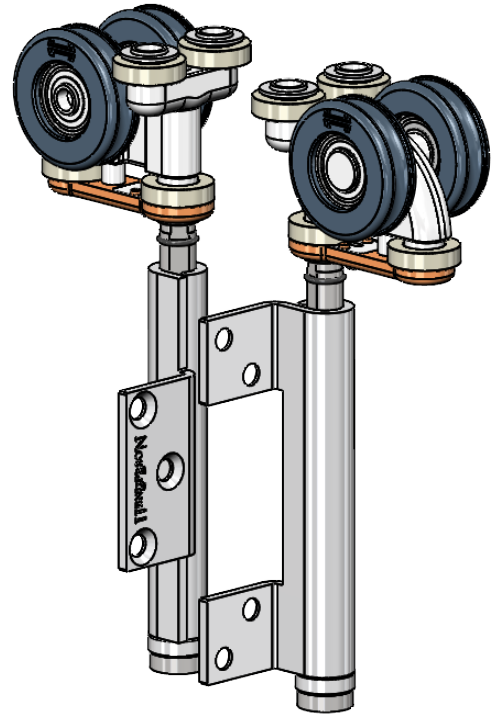
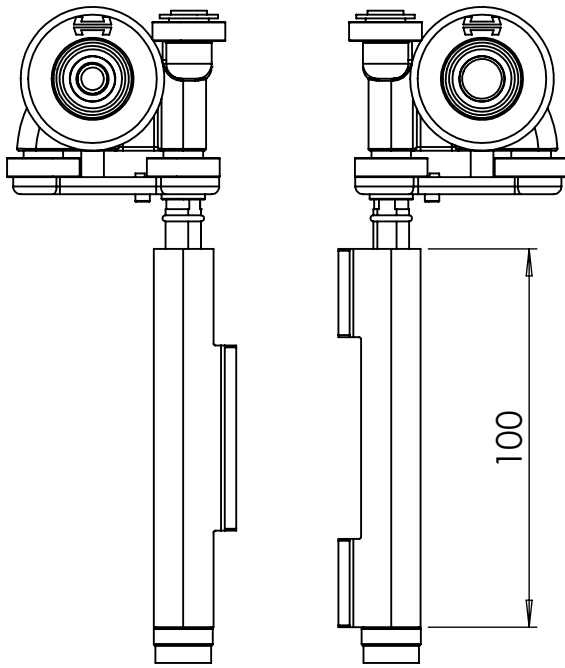


This work is copyright and no part may be reproduced, by any process, nor may any other exclusive right be exercised without the permission of ASSA ABLOY.



Document ID:  
SFWP8 END HANGER SET

Alternative ID:  
269090

**HENDERSON**

P.C.HENDERSON LIMITED, DURHAM ROAD, BOWBURN,  
COUNTY DURHAM DH6 5NG UNITED KINGDOM  
TELEPHONE: (0191) 3770701

**ASSA ABLOY**  
MULTILOCKS GROUP

Drawing Size:	A4
Scale:	1:2
Revision:	A