

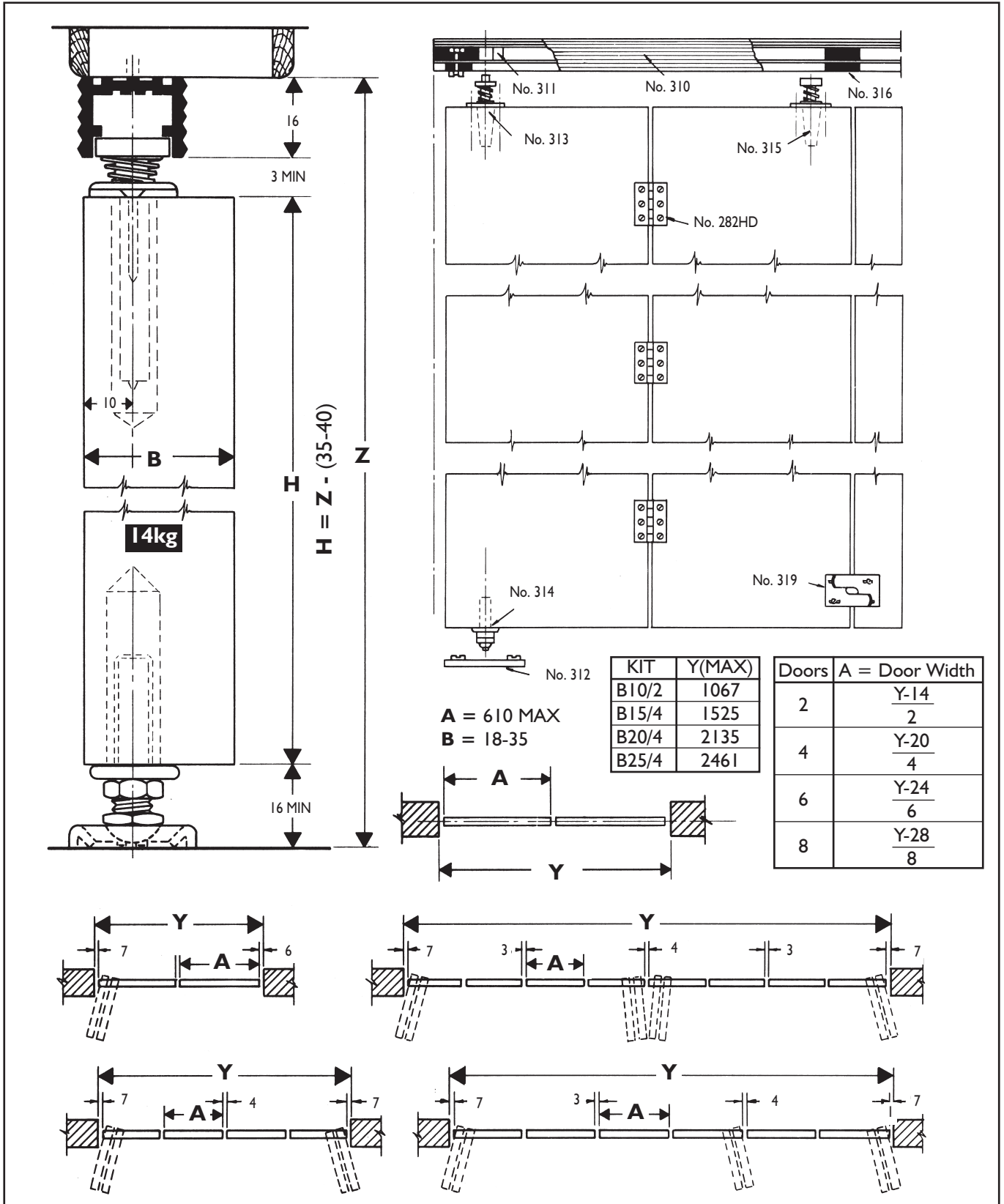
## FITTING INSTRUCTIONS - NOTICE DE POSE - MONTAGE HANDLEIDING - MONTAGEANLEITUNG ISTRUZIONI DI MONTAGGIO - INSTUCCIONES DE MONTAJE

**Warranty.** This product is covered by a 10 year manufacturer's warranty. Please see the P C Henderson website for terms and conditions.

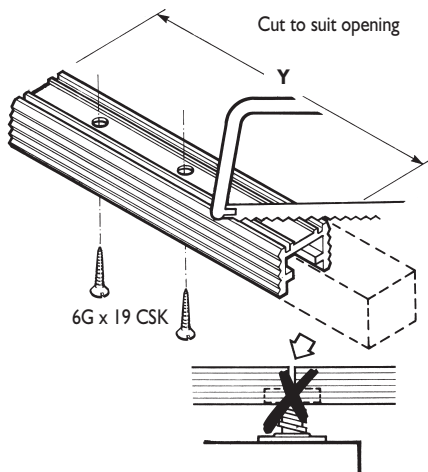
### WATCH THE INSTALLATION VIDEO

Visit: <https://www.youtube.com/watch?v=6JiTHarRSXM>

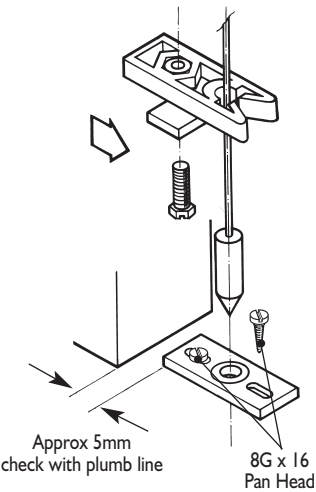
Or scan the QR code using your phone



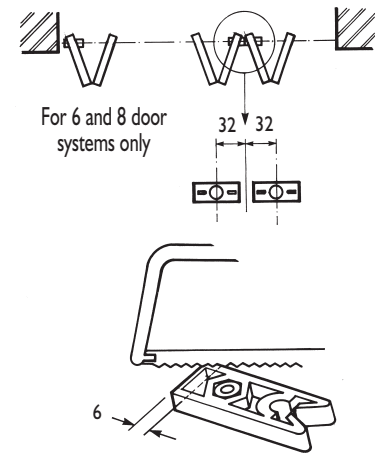
**Diagram 1.**



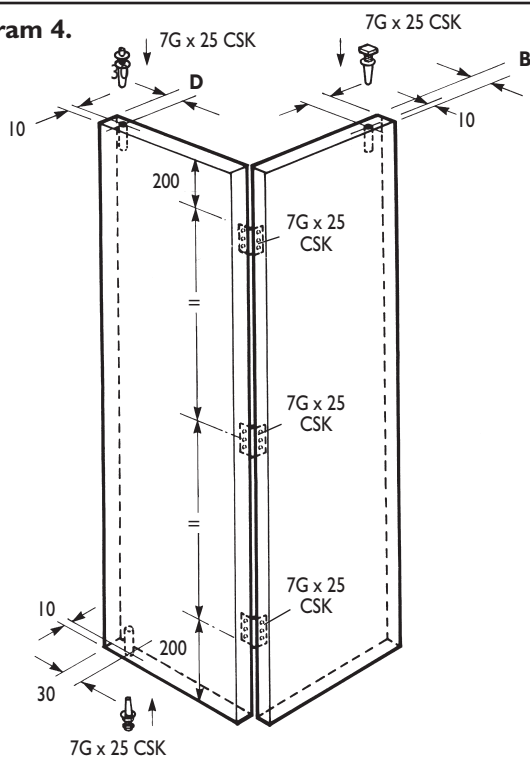
**Diagram 2.**



**Diagram 3.**



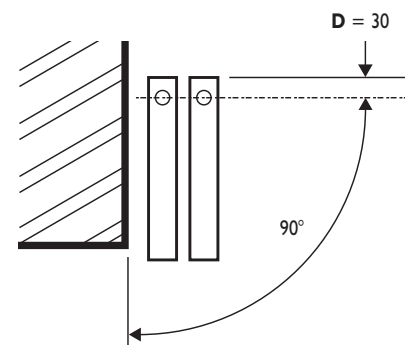
**Diagram 4.**



**Diagram 5.**

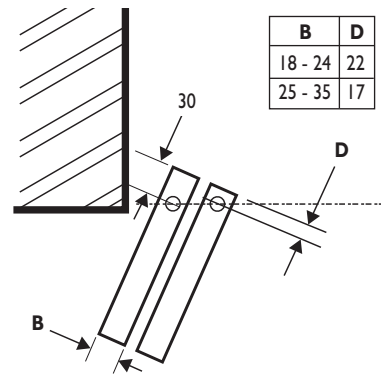
**Layout 1**

When the doors are required to stack perpendicular to the opening



**Layout 2**

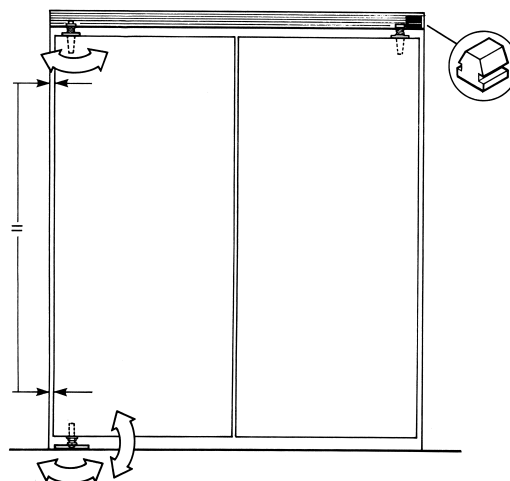
When the doors are required to stack at an angle to the opening use the table to calculate the position of the sliding guide on the second door.



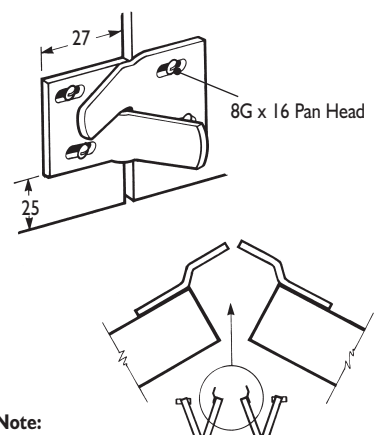
**Diagram 6.**



**Diagram 7.**



**Diagram 8.**



**Note:**  
This is not required for the B10/2 Kit.