

**FITTING INSTRUCTIONS - NOTICE DE POSE - MONTAGE HANDLEIDING - MONTAGEANLEITUNG  
ISTRUZIONI DI MONTAGGIO - INSTUCCIONES DE MONTAJE**

**Warranty.** This product is covered by a 10 year manufacturer's warranty. Please see the P C Henderson website for terms and conditions.

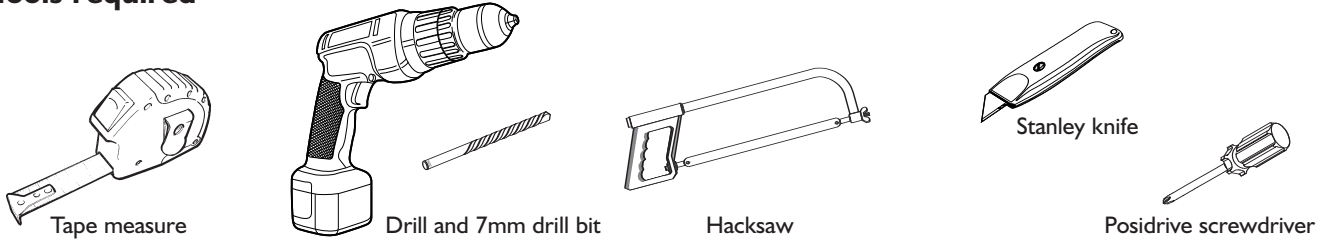
## WATCH THE INSTALLATION VIDEO

Visit: [www.pchenderson.com/zenith-installation](http://www.pchenderson.com/zenith-installation)

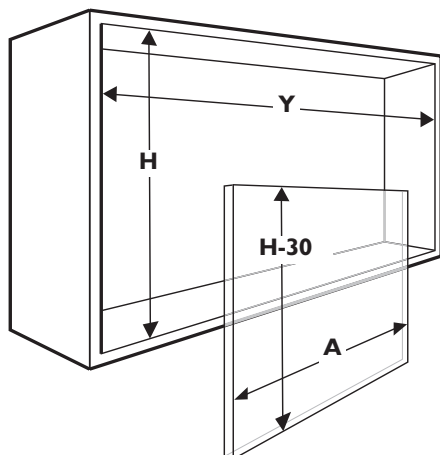
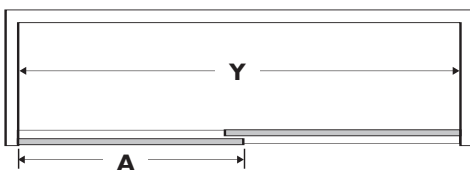
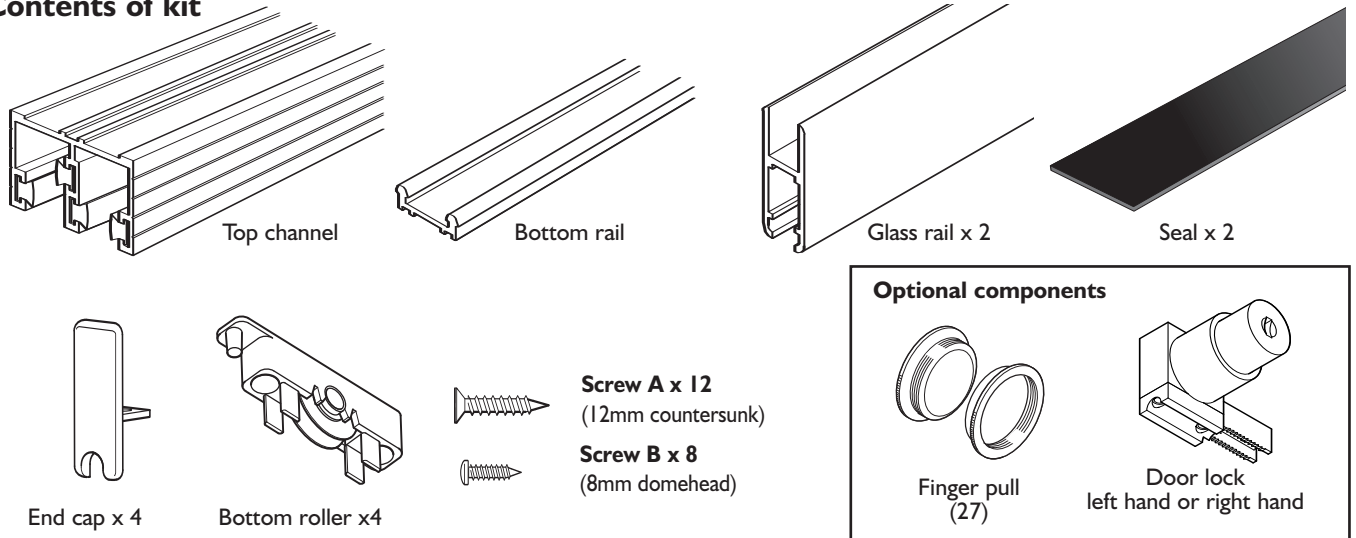
Or scan the QR code using your phone



### Tools required



### Contents of kit



Kit	Max opening width (Y)
Z12	1200
Z15	1500
Z18	1800

Recommended maximum opening height = 1800mm

$A = \frac{1}{2} Y + 16$

