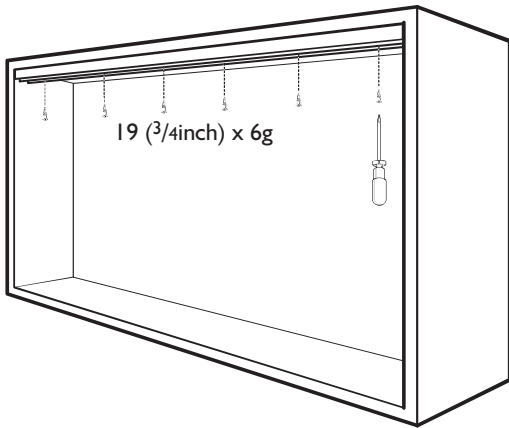
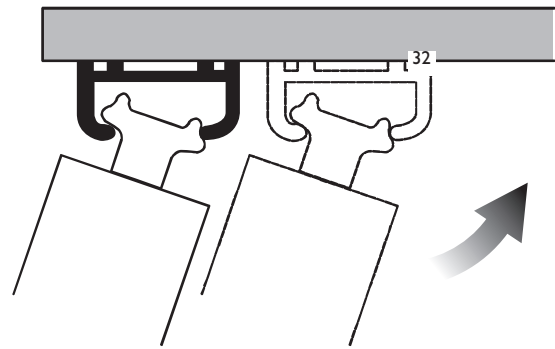


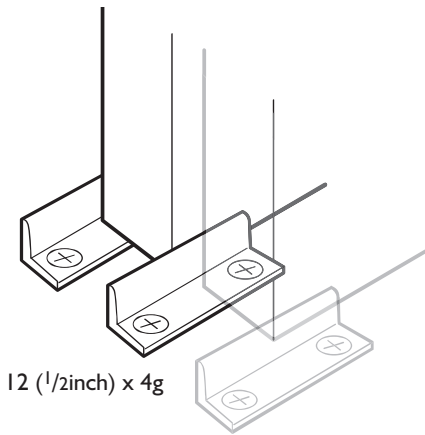
3 Fit track to inside of cabinet



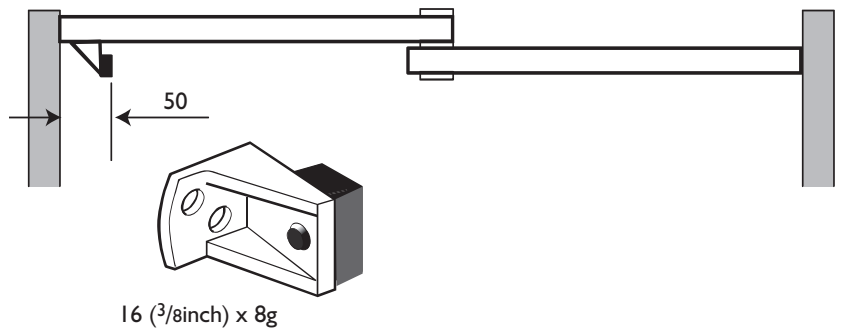
4 fit doors into track



5 Fit bottom guides



6 Fit door stop



(All dimensions are in mm.)