

# SLIPPER



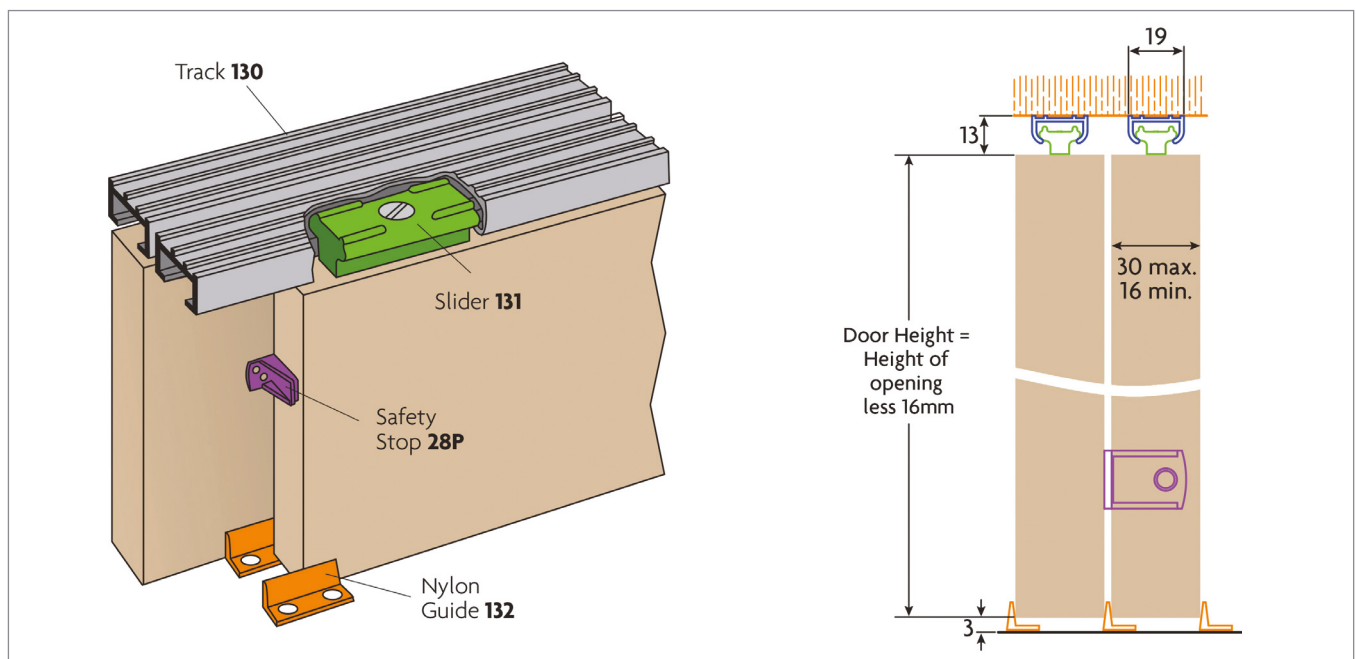
Watch the Installation Video  
[pchenderson.com/slipper-installation](http://pchenderson.com/slipper-installation)



For sliding wooden cupboard or hatch doors weighing up to 9kg



Slipper is ideally suited for hatches, cupboards and other applications made from lightweight wood or chipboard. It supports a maximum door weight of 9kg, a maximum door width of 900mm and door thickness of between 16-30mm. Three kits are available giving a maximum opening width of 1800mm, the unit can also easily be top fixed. The nylon sliders and aluminium track ensure quiet and effortless operation, an appealing design and simple-to-remove doors for cleaning and decorating. A fittings kit is available for when an additional door is required.



## Product Information

Kit Order Code	No. of Doors	Track Length	Max. Door Width	Door Thickness Range	Max. Door Weight
SS4	2	1200mm	900mm	16 - 30mm	9kg
SS5	2	1500mm	900mm	16 - 30mm	9kg
SS6	2	1800mm	900mm	16 - 30mm	9kg
SS1	Fittings kit to be used when an additional door is required				

## Kit Contents

Component	Short Code
Track (x 2)	130/****
Sliders (x 4)	131
Stop (x 1)	28P
White Plastic Flush Pull (x 2)	26P
Nylon Guide (x 4)	132

\*\*\*\* Replace by length of track for full short code

## Accessories



1 Door Fittings Kit (SS1)

View our  
 full range of  
 accessories  
 on page 136

Components can be specified separately for bespoke projects, contact P C Henderson for details.