

# ZENITH

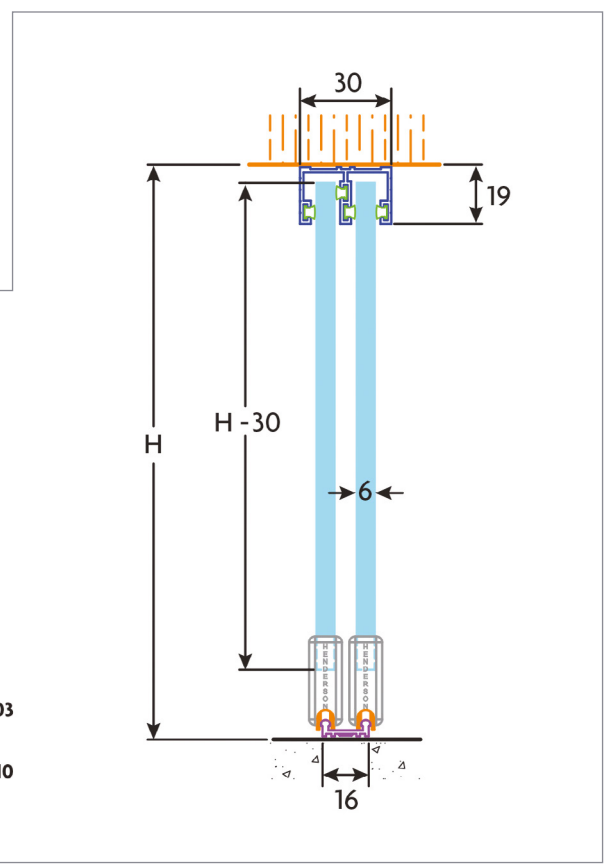
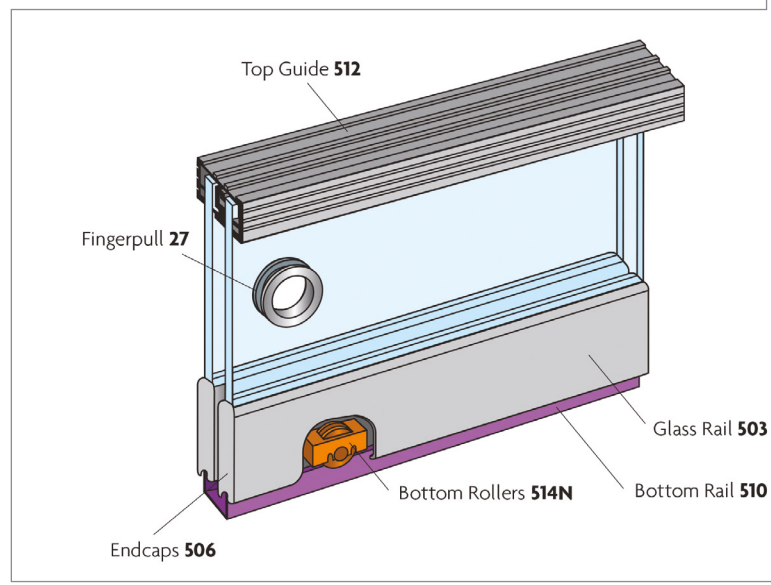
Watch the Installation Video  
[pchenderson.com/zenith-installation](http://pchenderson.com/zenith-installation)



For sliding glass cupboard doors weighing up to 25kg



Zenith is the perfect partner for any showcase, bookcase, display unit, hatch or interior window which utilises glass doors weighing up to 25kg and measuring 6mm thick. Three kits are available to give a maximum opening width of 1800mm. The system uses precision-made, satin anodised finish aluminium gear and brush pile strips to ensure a silent and easy-gliding action.



## Product Information

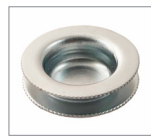
Kit Order Code	No. of Doors	Track Length	Max. Door Width	Door Thickness	Max. Door Weight
Z12	2	1200mm	916mm	6mm	25kg
Z15	2	1500mm	916mm	6mm	25kg
Z18	2	1800mm	916mm	6mm	25kg

## Kit Contents

Component	Short Code
Top Guide Channel (x 1)	512/****
Glass Rails (x 2)	503/****
Bottom Rollers (x 4)	514/N
End Caps (x 4)	506
Bottom Rail (x 1)	510/****
Glazing Strip (x 2)	509

\*\*\*\* Replace by length of track for full short code

## Accessories



Aluminium Finger Pull (27) for glass doors



Cylinder Lock (507) chrome



Cylinder Lock (507/120) chrome, keyed alike, key number 120

View our full range of accessories on page 136

Components can be specified separately for bespoke projects, contact P C Henderson for details.