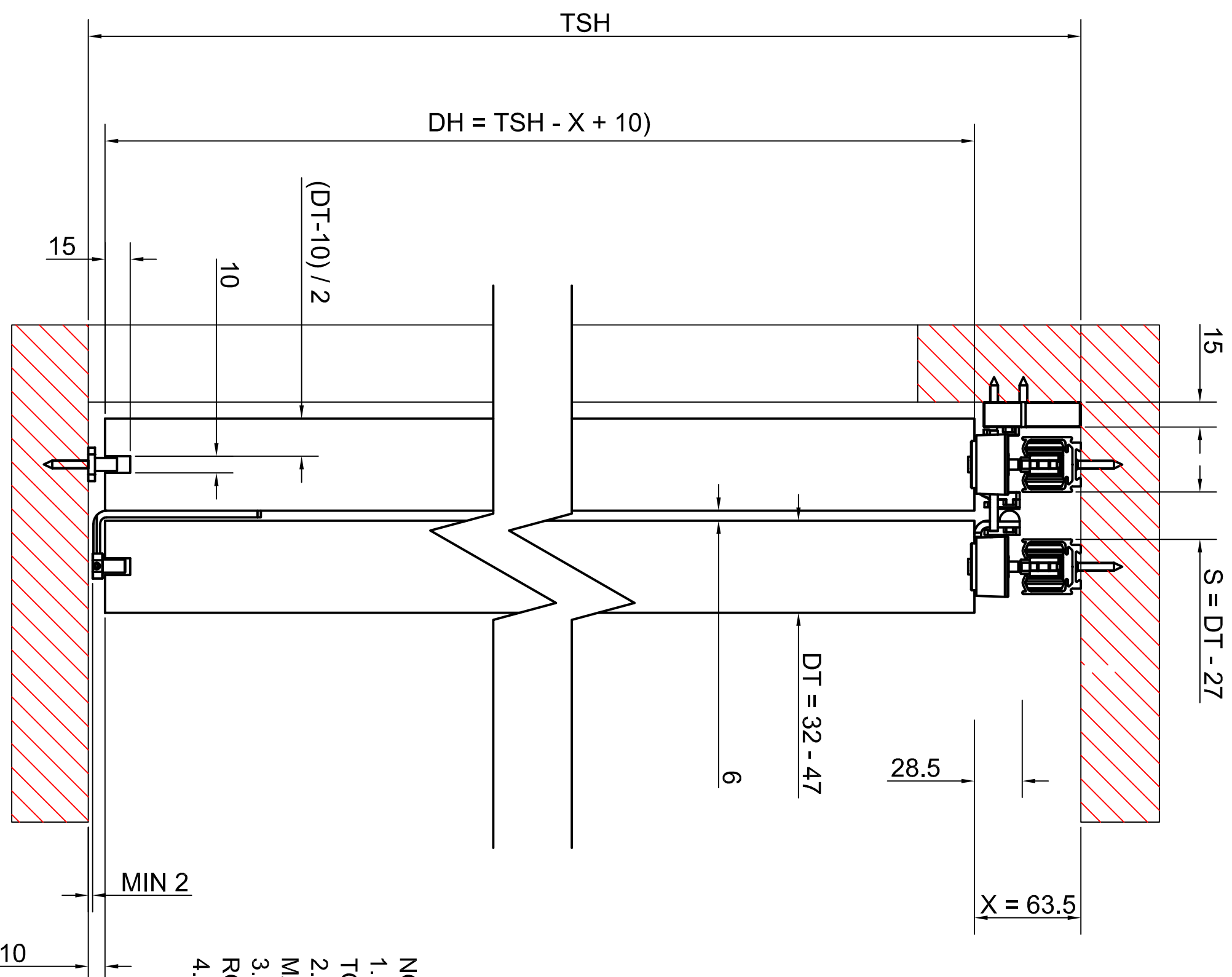


END VIEW



KEY:

- DT = DOOR THICKNESS
- DH = DOOR HEIGHT
- X = PCH RECOMMENDED TOP CLEARANCE (63.5MM)
- TSH = TRACK SET HEIGHT
- S = GAP REQUIRED BETWEEN TRACKS

NOTES:

1. DRAWING IS FOR REFERENCE AND SUBJECT TO CHANGE WITHOUT NOTICE.
2. APPLICATION IS FOR TIMBER DOORS WEIGHT MAX 80Kg.
3. REFER TO FITTING INSTRUCTIONS FOR ROUTING DETAILS REQUIRED
4. ALL DIMENSIONS ARE IN MILLIMETERS.

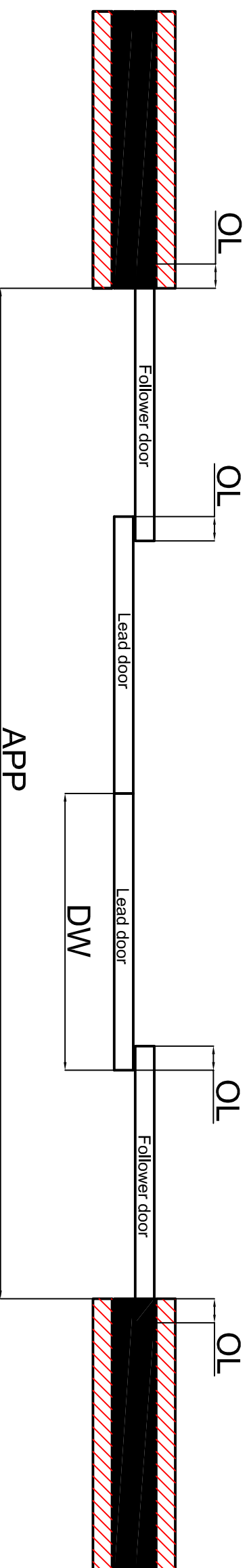
Description:	HUSKY TELESCOPIC 4 DOOR SIM KIT
PCH-code:	TEL80/SIM
CAD-scale:	NTS
Drawing-size:	A3
Revision:	A

SHEET 1 OF 2

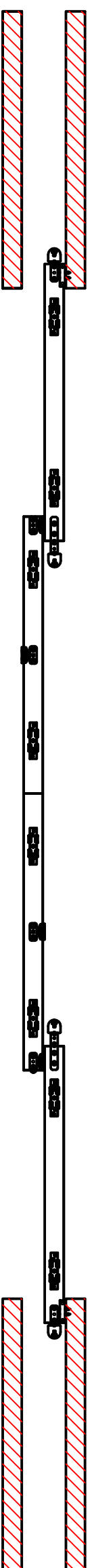
HENDERSON

www.pchenderson.com

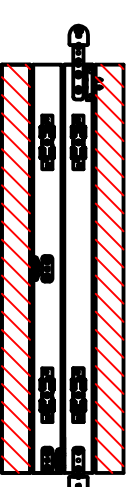
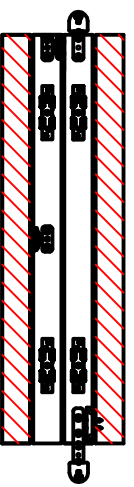
PLAN VIEW: SYSTEM CLOSED - SYSTEM OPEN



**SYSTEM
CLOSED**



**SYSTEM
OPEN**



KEY:

DW = DOOR WIDTH

OL = OVERLAP OF DOORS
(PCH RECOMMENDED 70mm)

APP = MAXIMUM RECOMMENDED CLEAR
OPENING WIDTH

CALCULATIONS:

PCH RECOMMEND OL = 70MM

APP = (4 X DW) - (4 X OL)

=> APP = 3 X DW - 280

OR

DW = (APP + (4 X OL)) / 4

NOTES:

1. DRAWING IS FOR REFERENCE AND SUBJECT TO CHANGE WITHOUT NOTICE.
2. TRACK AND BELT REMOVED FOR CLARITY
3. APPLICATION IS FOR TIMBER DOORS WEIGHT MAX 80Kg.
4. ALL DIMENSIONS ARE IN MILLIMETERS.

Description:	HUSKY TELESCOPIC 4 DOOR SIM KIT
PCH-code:	TEL80/SIM
CAD-scale:	NTS
Drawing-size:	A3
Revision:	A

HENDERSON

www.pchenderson.com