

# COLLEGE ENDFOLD 70

E A C H D O O R W E I G H T M A X 7 0 k g

## APPLICATION

- ▶ Suitable for end folding partitions in commercial or public buildings where weight has to be taken at floor level.
- ▶ Leaves can fold to one or both sides of the opening and can be stacked behind a reveal if required.
- ▶ College high quality bottom roller gear and fittings are ideally suited to high class joinery installations and all visible parts are finished in satin anodised aluminium.
- ▶ To cover any width of opening, any number of folding units can be used.

## DOOR SPECIFICATION

For individual doors:

Max Leaf Height	3600mm
Max Leaf Weight	70 kg
Max Leaf Width	900mm
Leaf Thickness	44mm

Folding units of up to eight leaves can be hinged to post.

Floating units consist of four, six or eight leaves.

Access doors should be either be a separate swing door or a wicket door in one of the folding leaves.

Instruction on leaf width calculation for full and half leaf are provided with the Expert Service and Joinery Instruction 1982.

Clearance between leaves to be 2mm minimum.

Door leaves should be constructed to provide secure fixing for bottom rollers hinges and top guide rollers and can either be flushed, panelled or glazed. Minimum 200mm bottom rails and 125mm stiles are recommended.

Refer to drawing 2769 for operating instructions.

## GEAR SPECIFICATION

<b>Top Guide channel:</b>	900 galvanised steel with safety lip	
Standard Lengths:	2000mm, 2500mm and 3000mm	

### Top Guide brackets:-

soffit fixing	3/900	pressed steel zinc plated
face fixing	1/900	pressed steel zinc plated

Fix at 600mm centres (maximum).

Fix additional bracket where folding units stack.

### Top guide rollers:-

901/919H

Top guide rollers are fitted with adjustable nylon rollers.

For lighter door leaves select 901/919L with concealed plate fixing.

Vertical adjustment is simple and positive.

<b>Bottom rollers:-</b>	920	satin anodised aluminium side plates
	923	concealed

Bottom rollers supported on thrust bearings.

### Hinges:-

403/2 butt hinge

On leaves up to 3000mm fit 3 hinges high, above 3000mm fit 4 hinges.

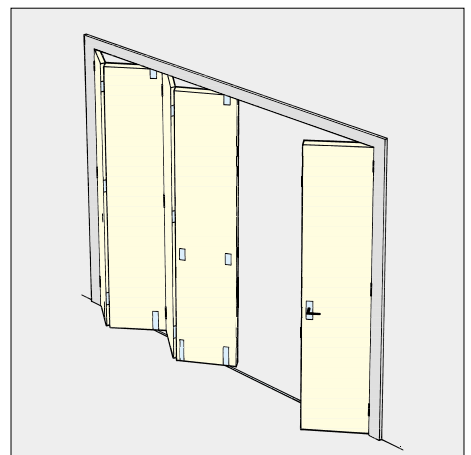
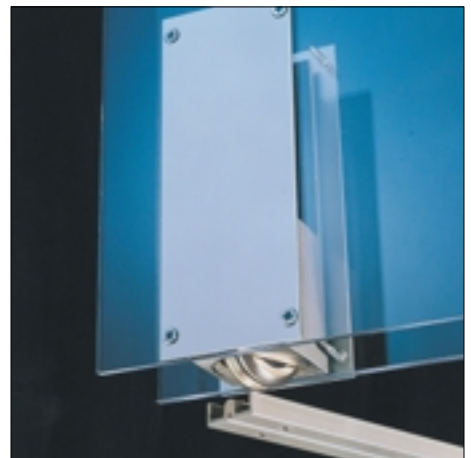
### Rail:

918

Standard lengths 1500mm and 3000mm. Pre-drilled and countersunk for wood or lugging into concrete.

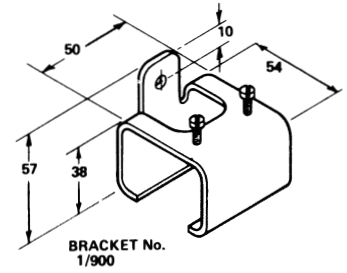
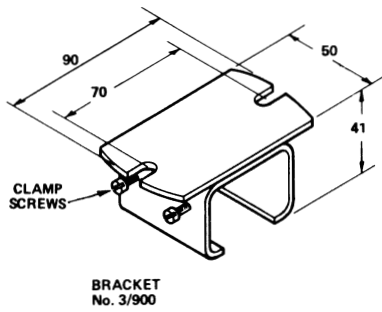
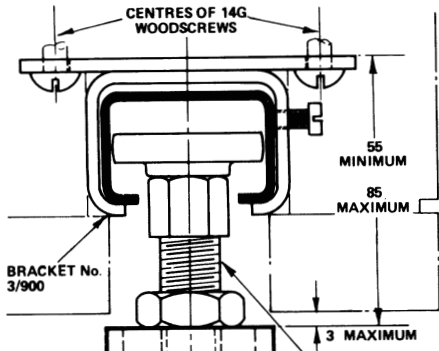
**Accessories:** Flush Pulls, Flush Bolts and Locks.

## INTERNAL FOLDING DOORS HINGED TO POST OR FLOATING BOTTOM ROLLER TIMBER DOORS



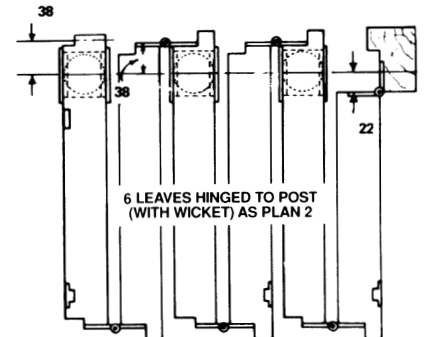
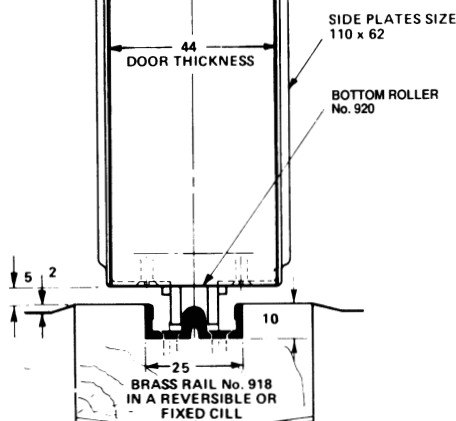
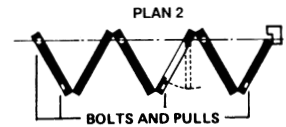
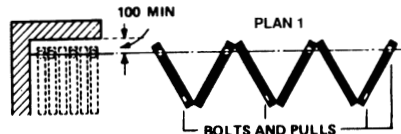
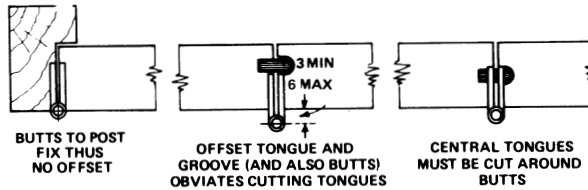
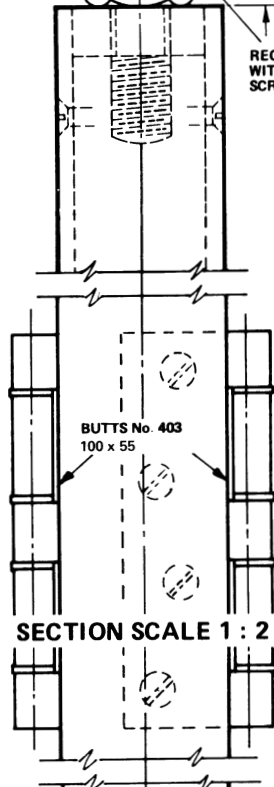
Standard Application

# COLLEGE ENDFOLD 70



RECOMMENDED TOP GUIDE ROLLER No. 901/919H WITH VERTICAL ADJUSTMENT FOR HIGH OR WIDE SCREENS (APRON SIZE 127 x 57)

COLLEGE ENDFOLD 70  
WIDTH OF LEAVES  
ALL ALIKE EXCEPT PIVOT LEAF HINGED TO POST, WHICH MUST BE LESS BY HALF DOOR THICKNESS (22MM) PLUS 38mm.  
PLEASE REFER TO JOINERY AND INSTALLATION DETAIL PRIOR TO CUTTING DOOR LEAVES.  
LEAVES OF FLOATING UNITS ARE ALL OF EQUAL WIDTHS.  
A FLOATING UNIT MUST BE 4, 6 OR 8 LEAVES.  
MAXIMUM RECOMMENDED LEAF WIDTH IS 900mm.  
CLEARANCE BETWEEN LEAVES SHOULD NOT BE LESS THAN 2mm.



REBATED JOINTS  
IF REBATING IS PREFERRED IT MUST BE TO LAYOUT ABOVE