

## Fitting Instructions (Stainless Steel)

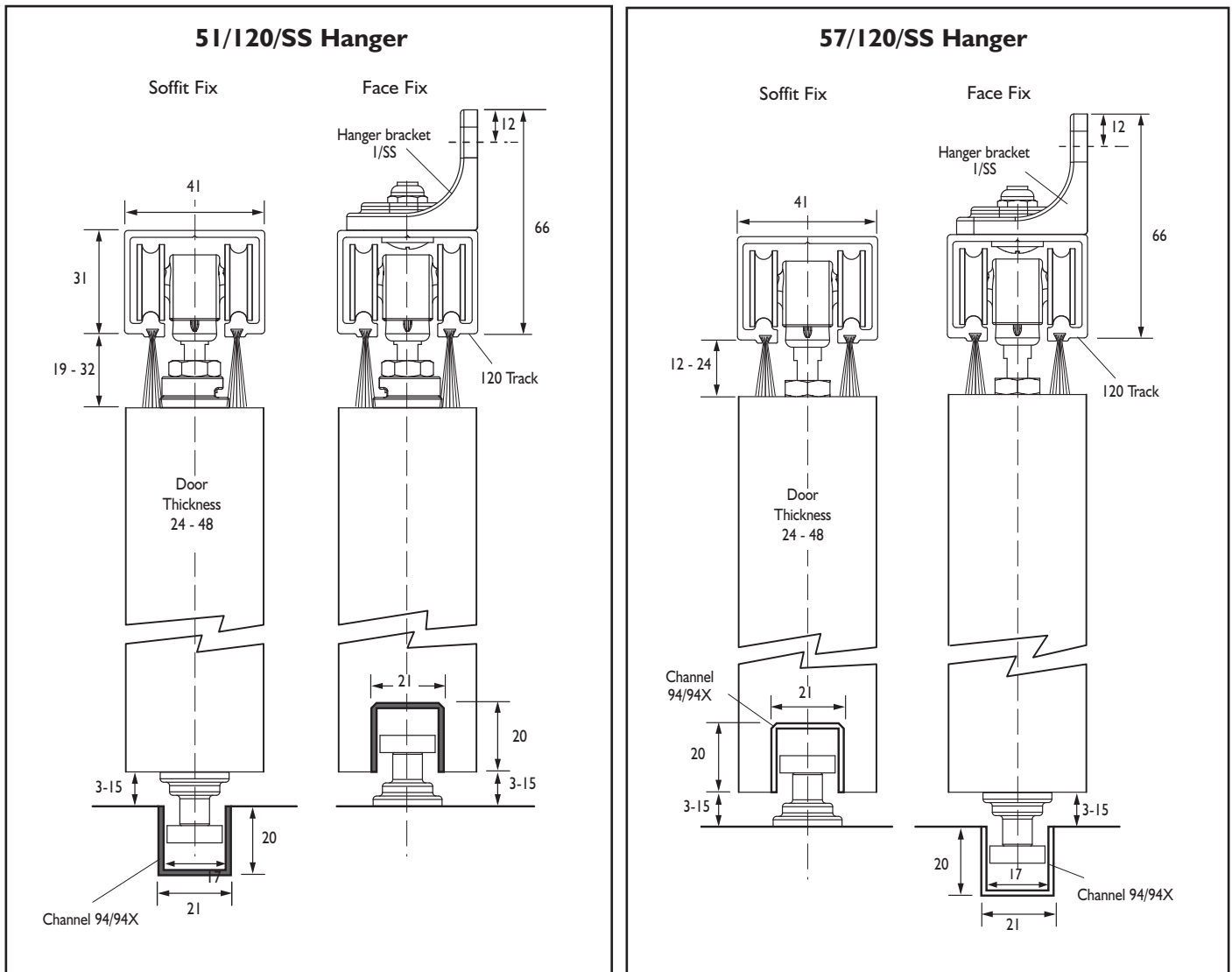
### FITTING INSTRUCTIONS - NOTICE DE POSE - MONTAGE HANDLEIDING - MONTAGEANLEITUNG ISTRUZIONI DI MONTAGGIO - INSTUCCIONES DE MONTAJE

**Warranty.** This product is covered by a 10 year manufacturer's warranty. Please see the P C Henderson website for terms and conditions.

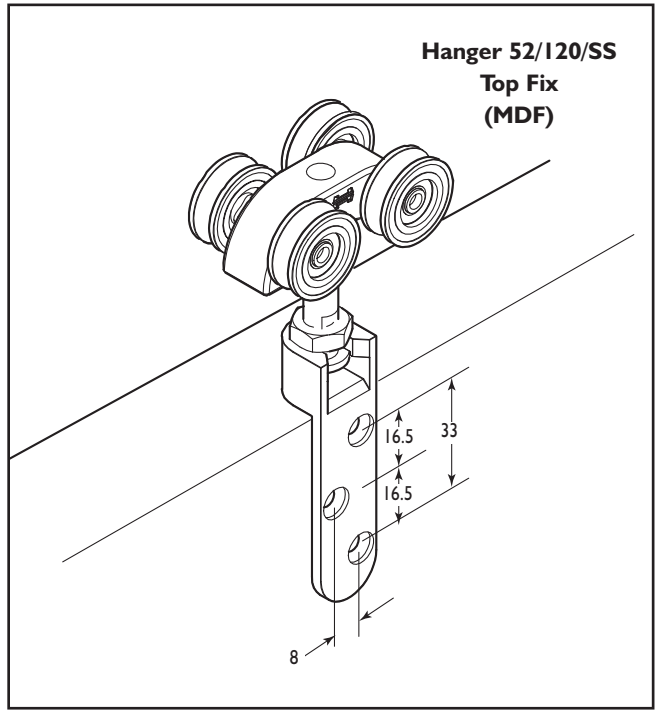
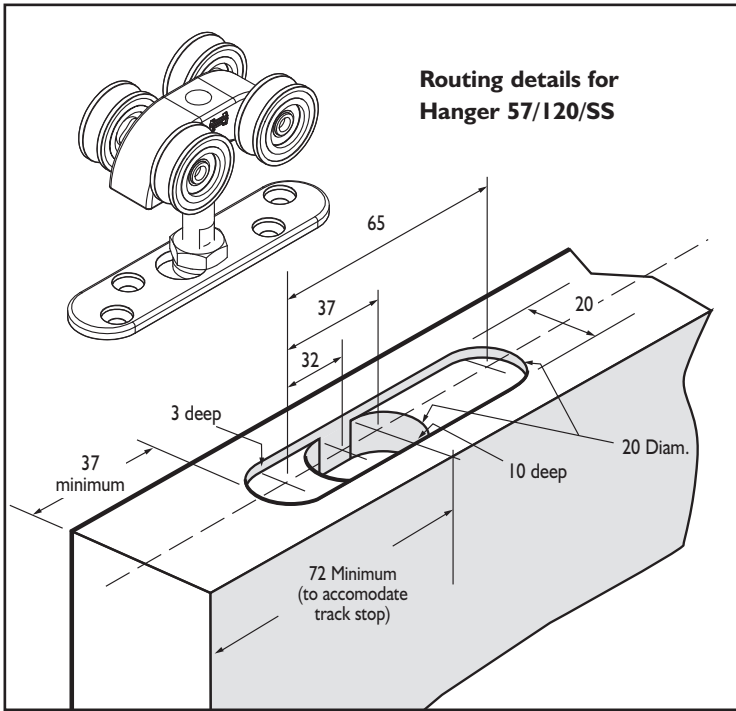
### WATCH THE INSTALLATION VIDEO

Visit: [www.pchenderson.com/soltaire-installation](http://www.pchenderson.com/soltaire-installation)

Or scan the QR code using your phone



For MDF doors 19-23mm you must use hanger 52/I20/SS and for doors 24-48 there is an option of surface mounted or routed (51/I20/SS or 57/I20/SS)



(All dimensions shown in mm's)

