

**FITTING INSTRUCTIONS – NOTICE DE POSE – MONTAGE HANDLEIDING – MONTAGEANLEITUNG  
ISTRUZIONI DI MONTAGGIO – INSTUCCIONES DE MONTAJE**

**Warranty.** This product is covered by a 10 year manufacturer's warranty. Please see the P C Henderson website for terms and conditions.

## WATCH THE INSTALLATION VIDEO

Visit: [www.pchenderson.com/soltaire-installation](http://www.pchenderson.com/soltaire-installation)

Or scan the QR code using your phone



### System Specification

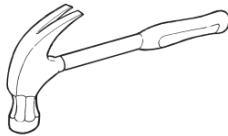
Maximum Panel Weight = 120kg  
Minimum Panel Thickness = 24mm

Maximum Panel Thickness = 48mm  
Maximum Panel Height = 3000mm

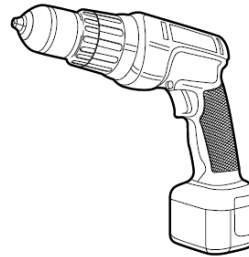
### Tools required



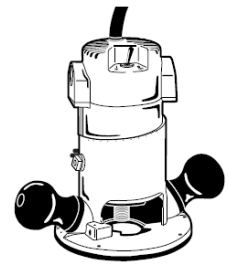
1 x Phillips screwdriver



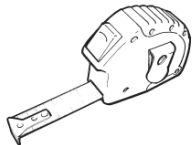
1 x Hammer



1 x Drill



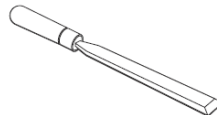
1 x Router



1 x Tape measure



1 x 13mm spanner



1 x Chisel



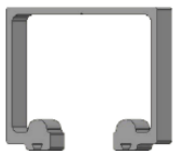
1 x Drill



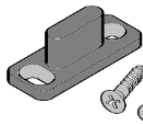
1 x Router

### Kit Contents

120 Track – 2M

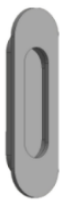


2 x 51/120/SS  
Hanger + fixing  
screws

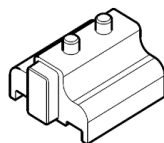


1 x Floor Guide

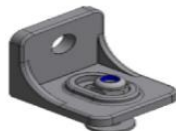
2 x Flush Pulls



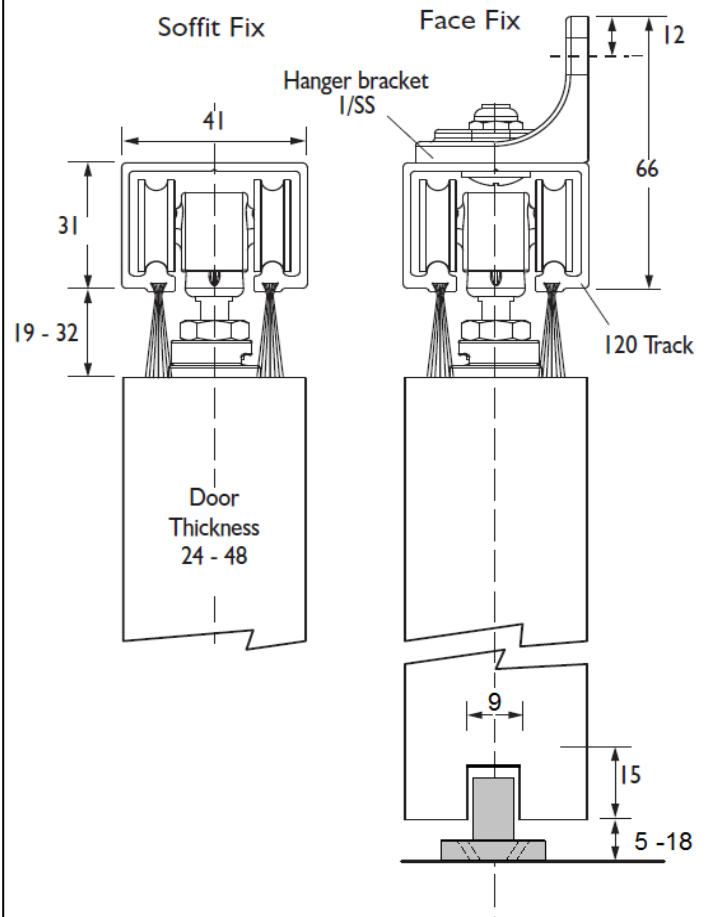
2 x Track  
stops



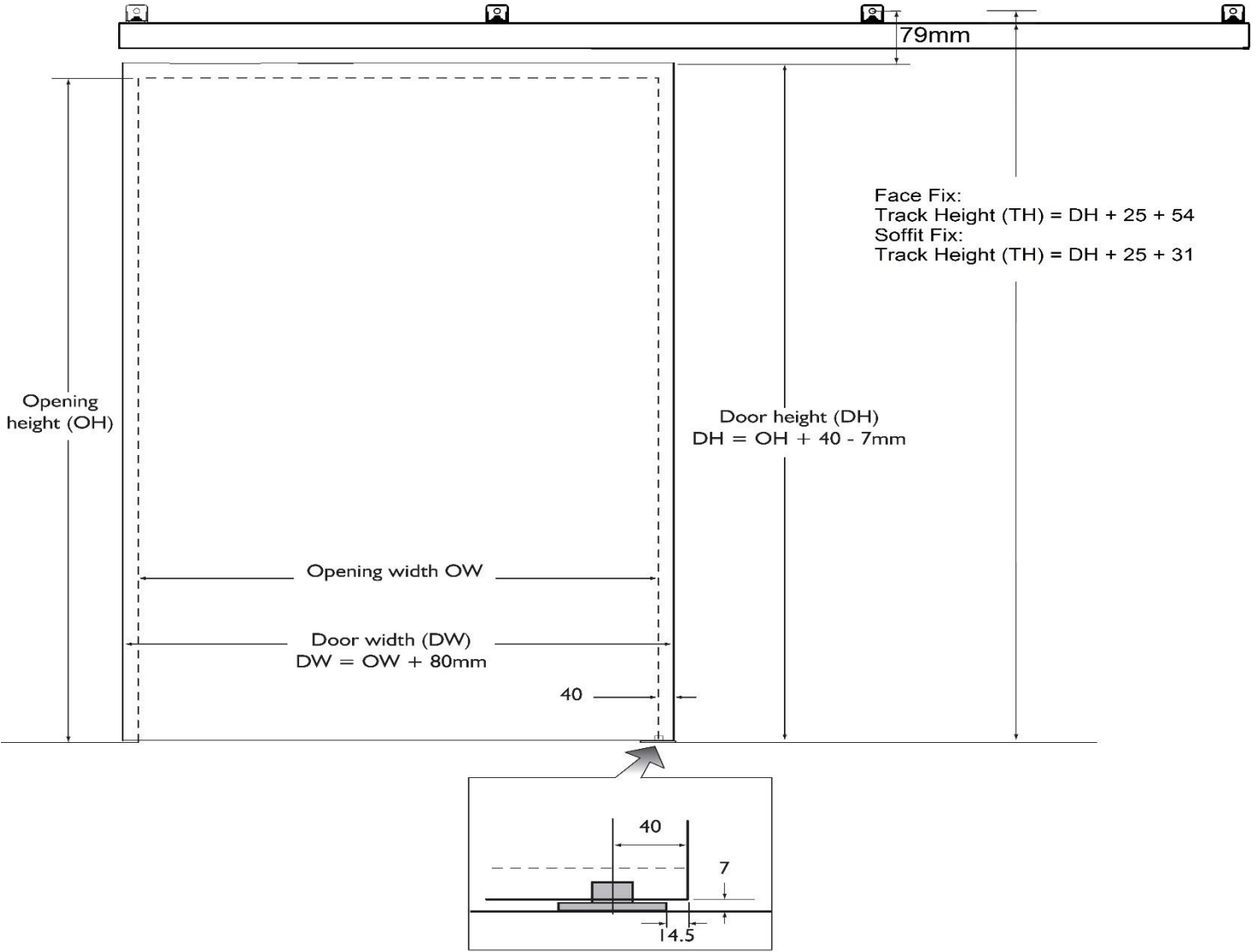
4 x Face Fix  
Brackets



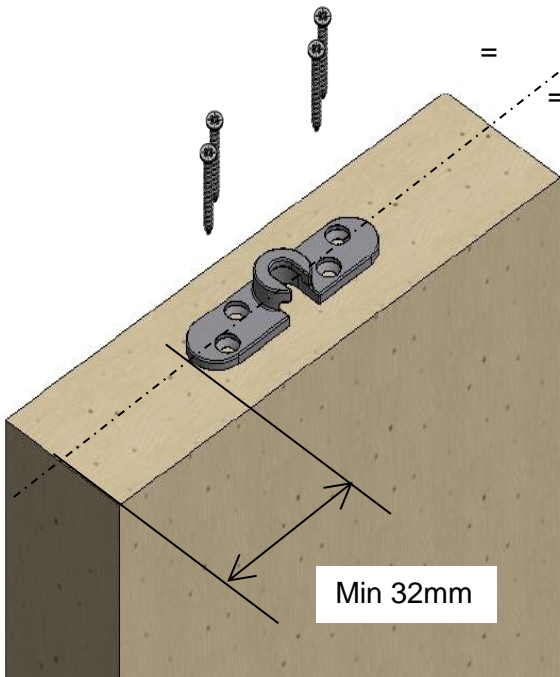
### Interior Kit



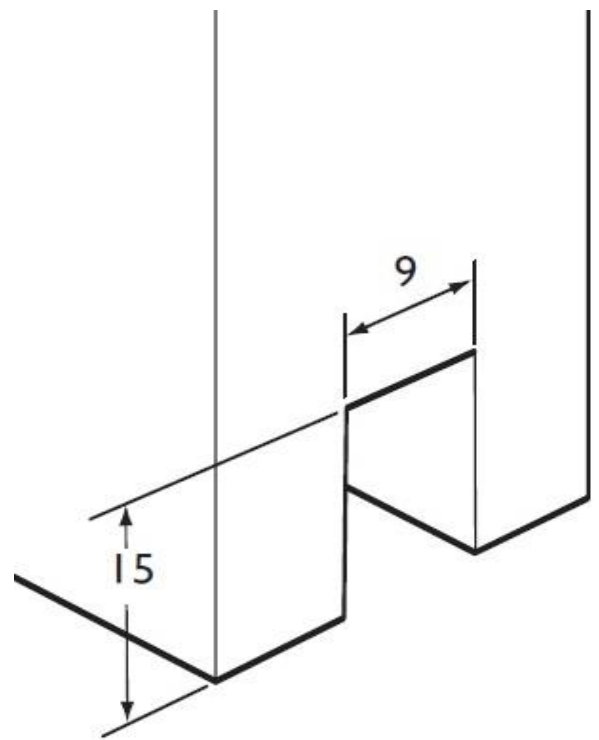
# PCH Suggested Layout/Door Height



## 1. Fit Apron plate

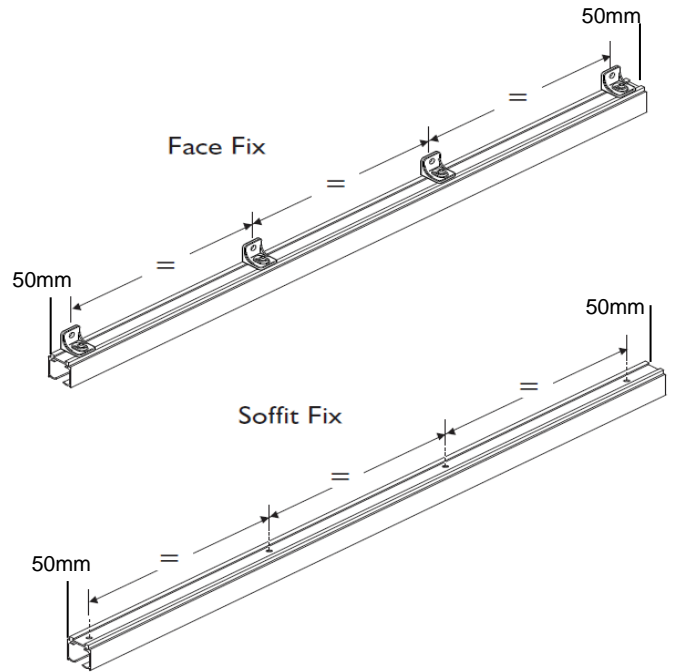
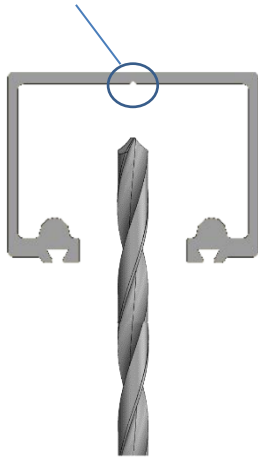


## 2. Door Routing Detail for Floor Guide



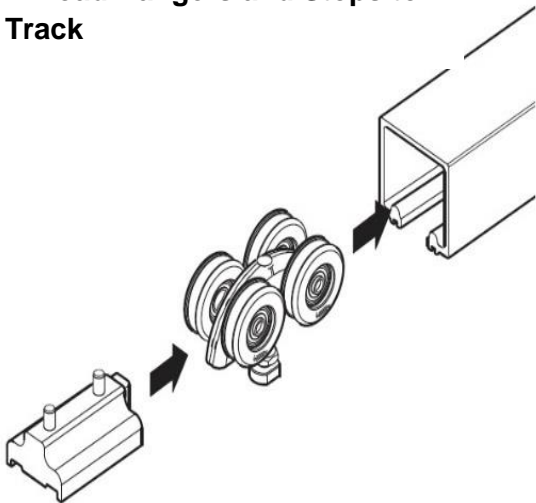
### 3. Prepare and Fit Track

- i. Cut track to length required
- ii. Drill holes in track – hole size depends on fixing method. Use “V” to ensure holes central

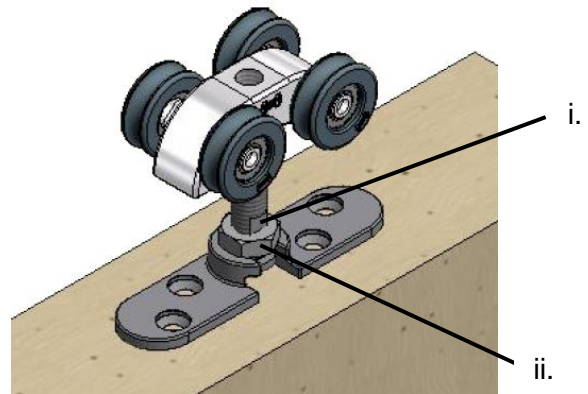


It is the installer's responsibility to ensure that the correct fixing/wall insert is used and is suitable - depending on the wall/ceiling type and quality

### 4. Load Hangers and Stops to Track

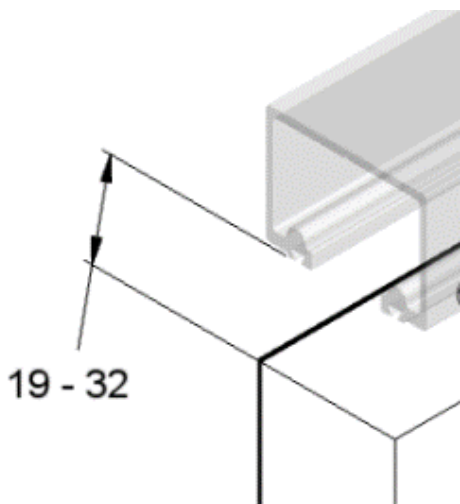


### 5. Fit Door

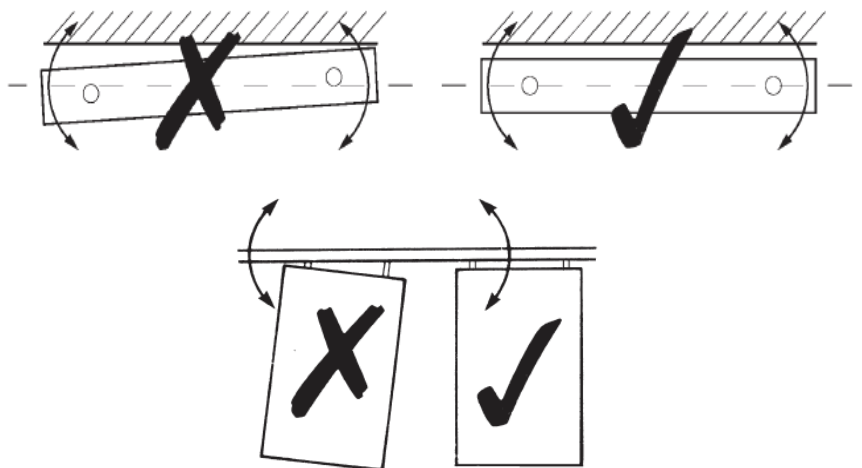


- i. Set Door height by rotating strap bolt on flats
- ii. Once position set – tighten thin nut against apron

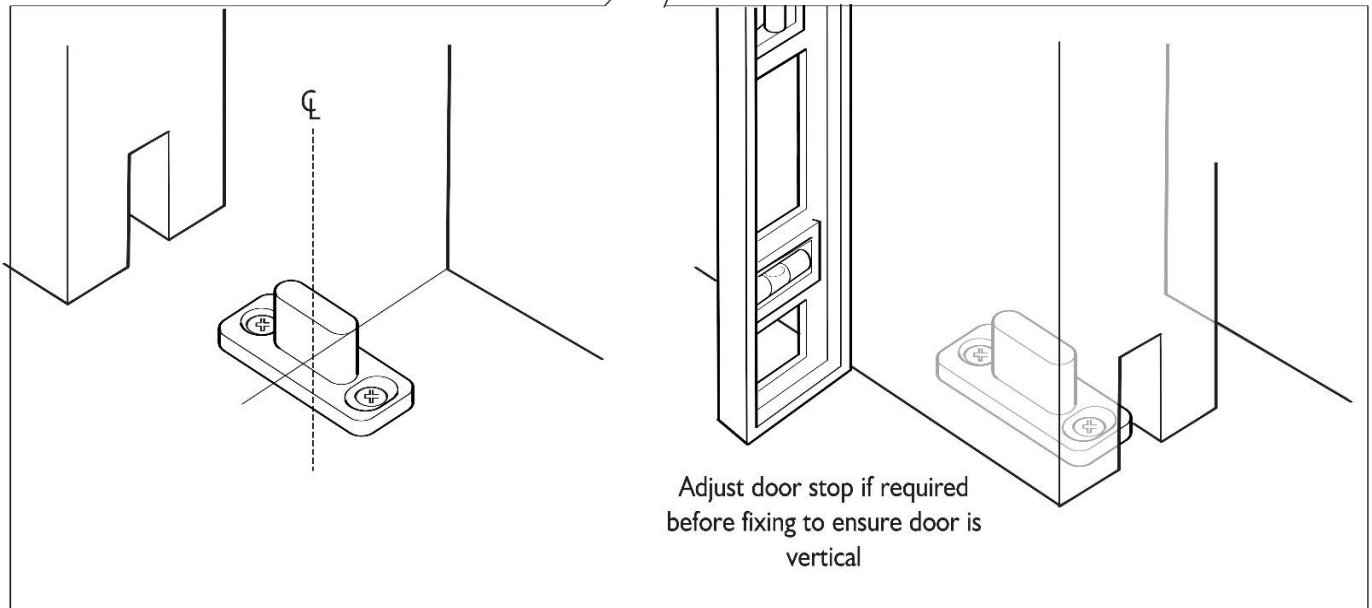
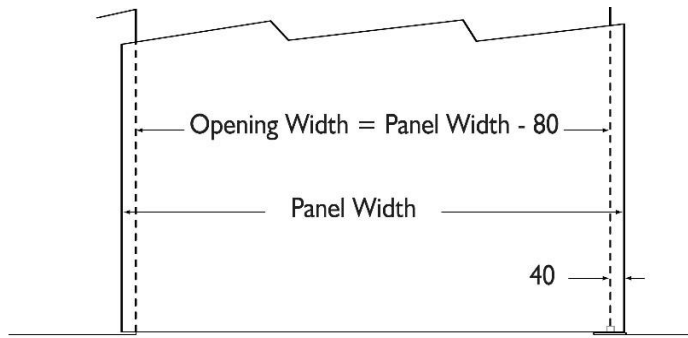
### 6. Check Door Height



### 7. Confirm Door Movement



## 8. Fit Floor Guide



## 9. Final positioning:

Position & secure track stop block at both ends of the track

