

**FITTING INSTRUCTIONS – NOTICE DE POSE – MONTAGE HANDLEIDING – MONTAGEANLEITUNG  
ISTRUZIONI DI MONTAGGIO – INSTUCCIONES DE MONTAJE**

**Warranty.** This product is covered by a 10 year manufacturer's warranty. Please see the P C Henderson website for terms and conditions.

### System Specification

Maximum Panel Weight = 180Kg OR 250Kg

Panel Thickness = 35 to 48mm

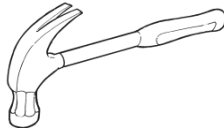
Maximum Panel Height = 3000mm

Maximum Panel Width = 1375mm

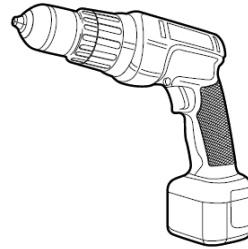
### Tools required



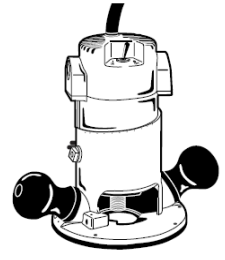
1 x Phillips screwdriver



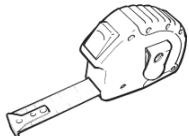
1 x Hammer



1 x Drill



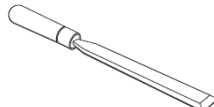
1 x Router



1 x Tape measure



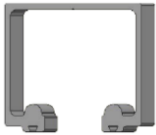
1 x 13mm spanner



1 x Chisel

### Content of kit

180 OR 250  
Track – 2.75M

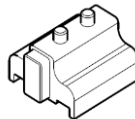


2 x 57/180/SS OR  
57/250/SS Hanger +  
fixing screws

2 x Floor Guides +  
fixings



2 x Track stops

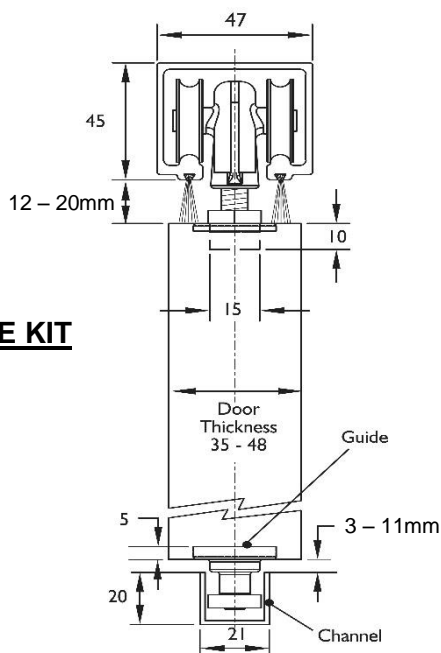
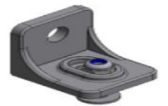


2 x Flush Pulls

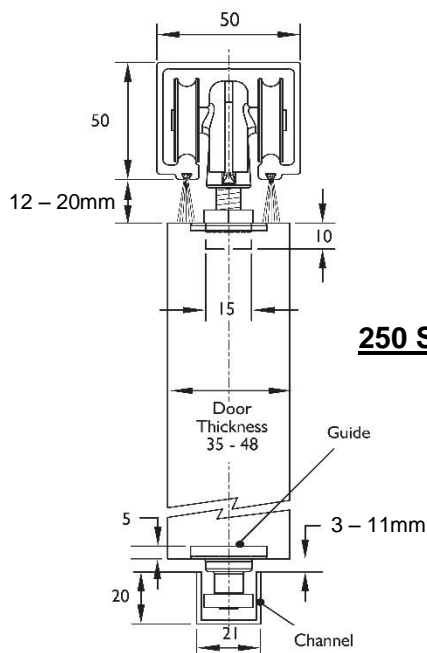


1 x Guide Channel –  
2.75M

5 x Face Fix  
Brackets



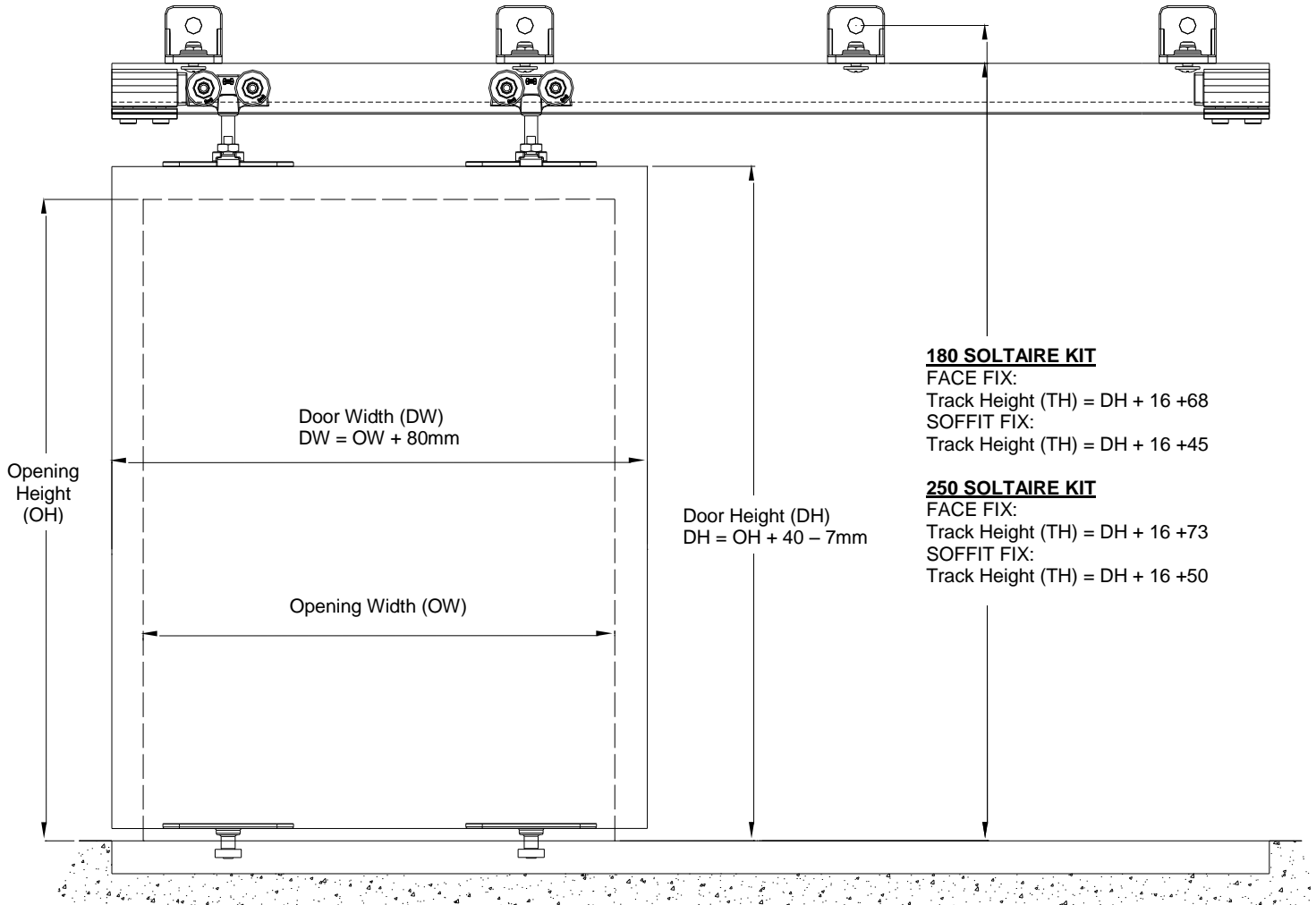
**180 SOLTAIRE KIT**



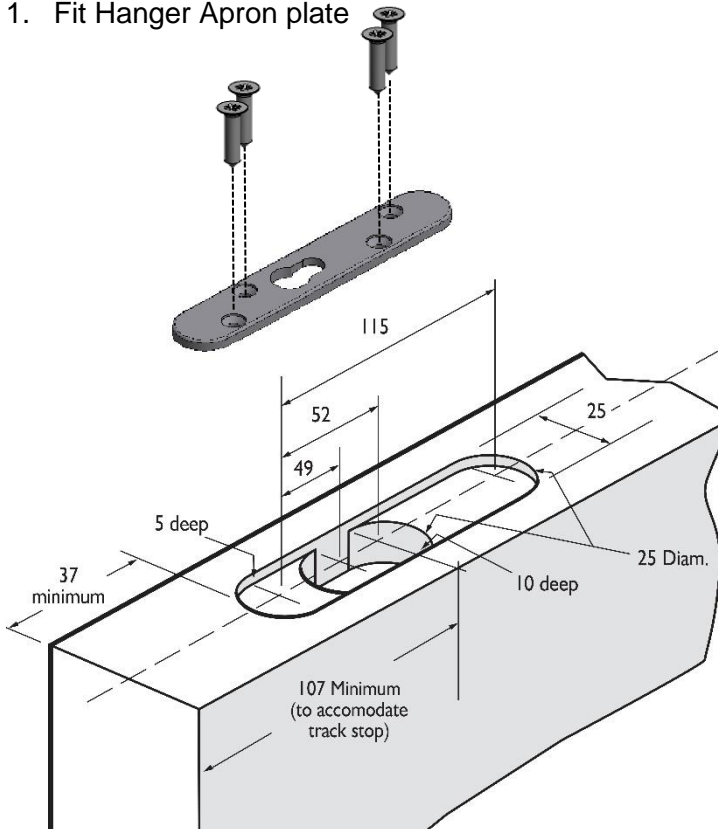
**250 SOLTAIRE KIT**

SOFFIT FIX SHOWN  
FOR CLARITY

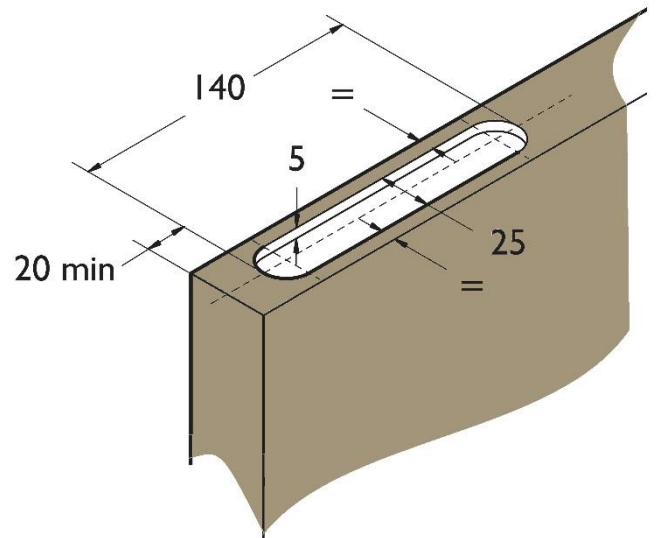
**PCH Suggested layout/Door Height**



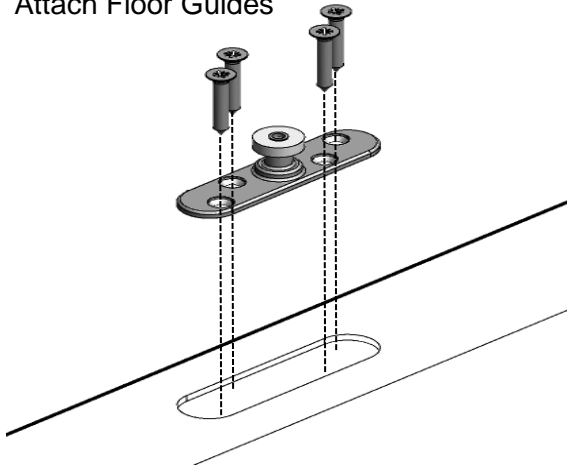
**1. Fit Hanger Apron plate**



**2. Routing detail For Floor Guide**

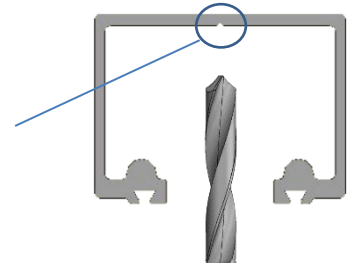


### 3. Attach Floor Guides

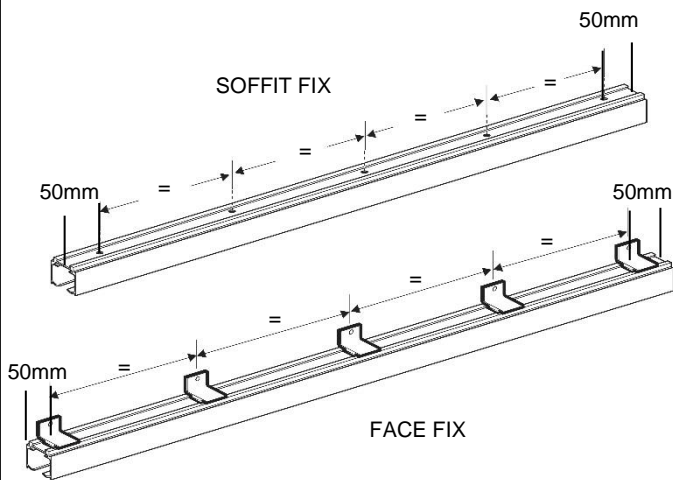


### 4. Prepare Track

- i. Cut track to length required
- ii. Drill holes in track – hole size depends on fixing method. Use “V” to ensure holes central

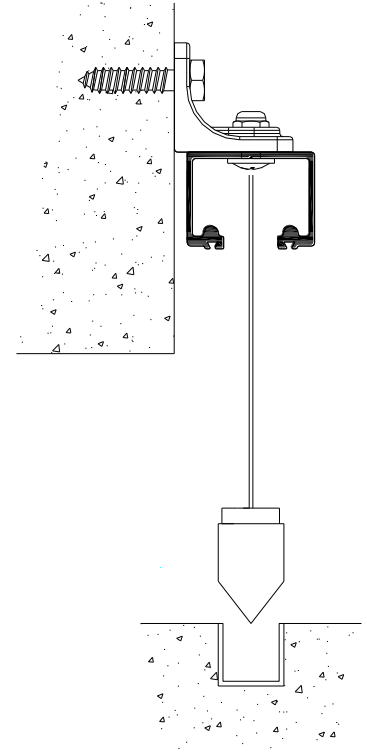


### 5. Fit Track



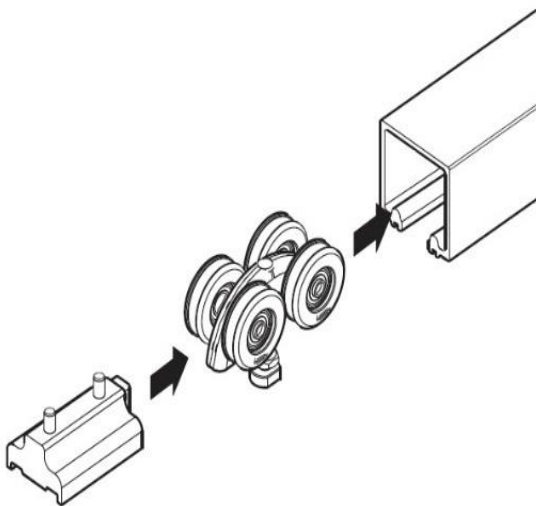
### 6. Prepare and Fit Channel

- i. Mark plumb line positions at start and end of track
- ii. Cut channel to length required.
- iii. Fix in position.

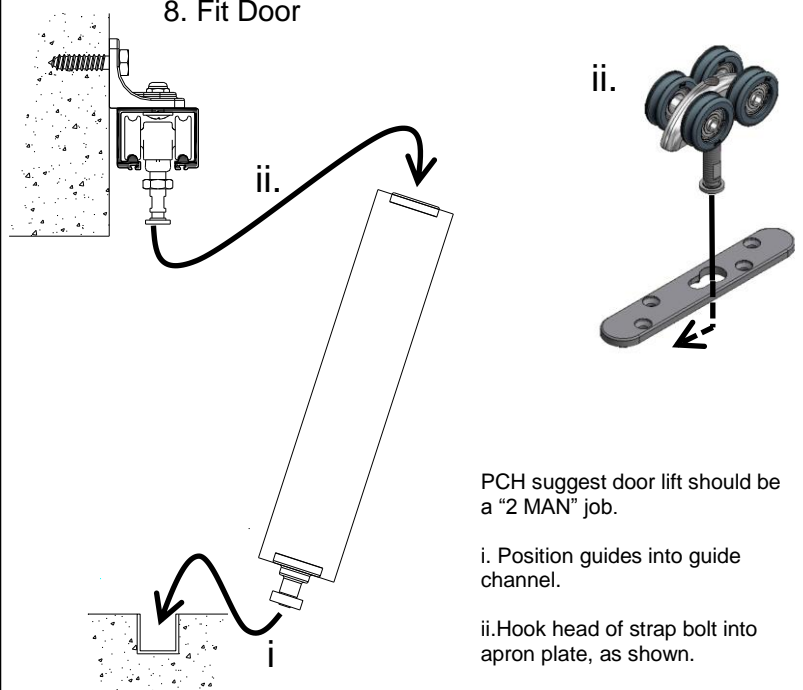


It is the installer responsibility to ensure that the correct fixing/wall insert is used and is suitable - depending on the wall/ceiling/floor type and quality

### 7. Load Hangers and Stops to Track



### 8. Fit Door

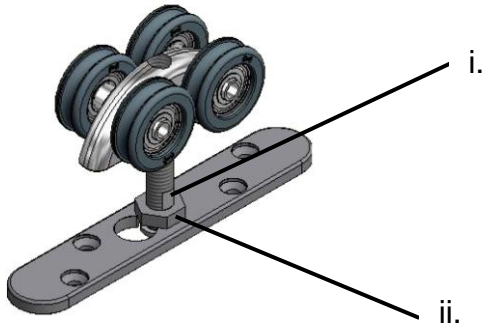


PCH suggest door lift should be a “2 MAN” job.

i. Position guides into guide channel.

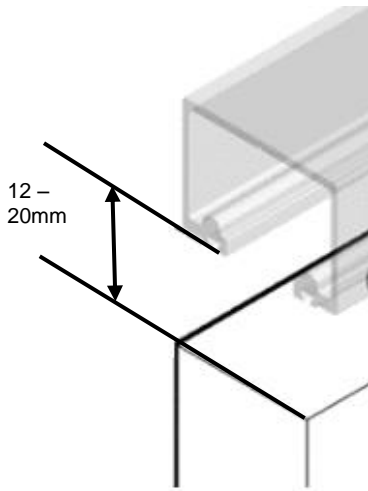
ii. Hook head of strap bolt into apron plate, as shown.

### 9. Fit Door

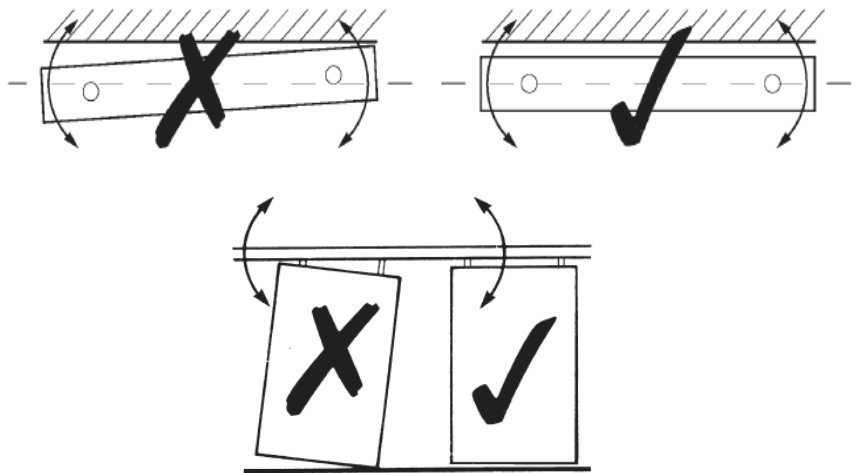


- i. Set Door height by rotating strap bolt on flats
- ii. Once position set – tighten thin nut against apron plate.

### 10. Check Door Height



### 11. Confirm Door Movement



### 12. Final positioning:

Position & secure track stop block at both ends of the track

