

FITTING INSTRUCTIONS – NOTICE DE POSE – MONTAGE HANDLEIDING – MONTAGEANLEITUNG
ISTRUZIONI DI MONTAGGIO – INSTUCCIONES DE MONTAJE

Warranty. This product is covered by a 10 year manufacturer's warranty. Please see the P C Henderson website for terms and conditions.

System Specification

Maximum Panel Weight = 120kg

Panel Thickness = 24 to 48mm

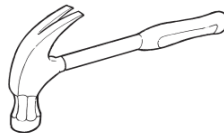
Maximum Panel Height = 3000mm

Maximum Panel Width = 1000mm

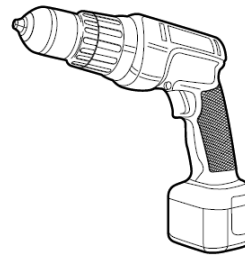
Tools required



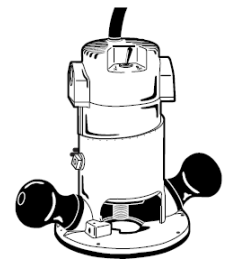
1 x Phillips screwdriver



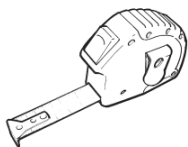
1 x Hammer



1 x Drill



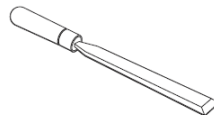
1 x Router



1 x Tape measure



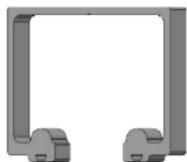
1 x 13mm spanner



1 x Chisel

Content of kit

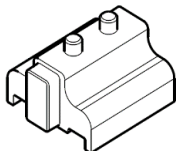
120 Track – 2M



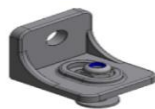
2 x 51/120/SS
Hanger + fixing
screws



2 x Track stops



4 x Face Fix
Brackets



2 x Floor Guides +
fixings



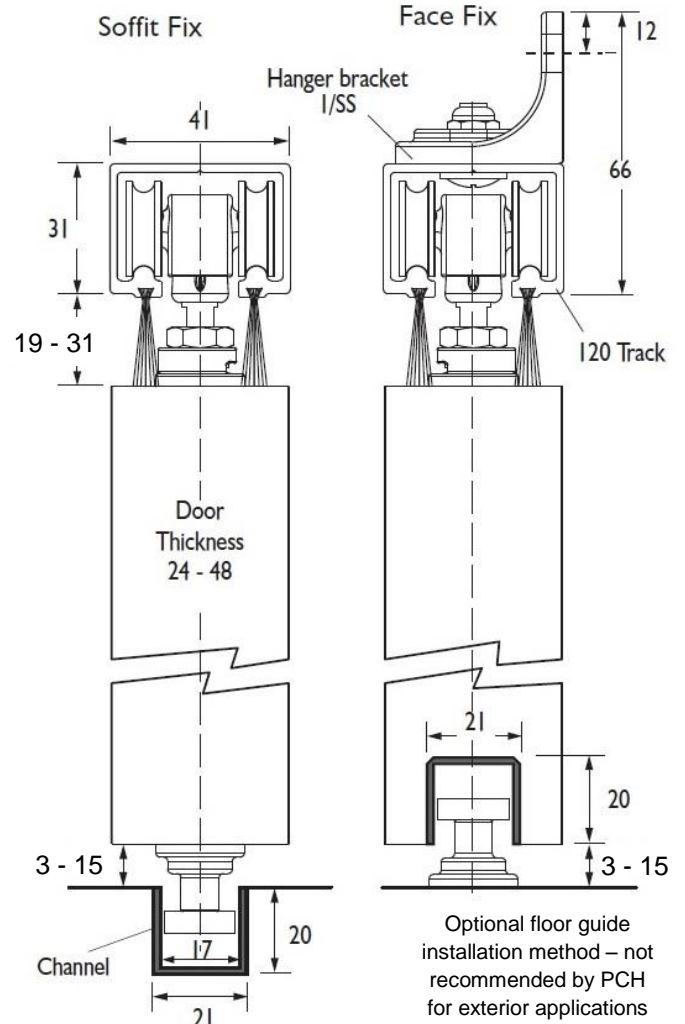
2 x Flush
Pulls



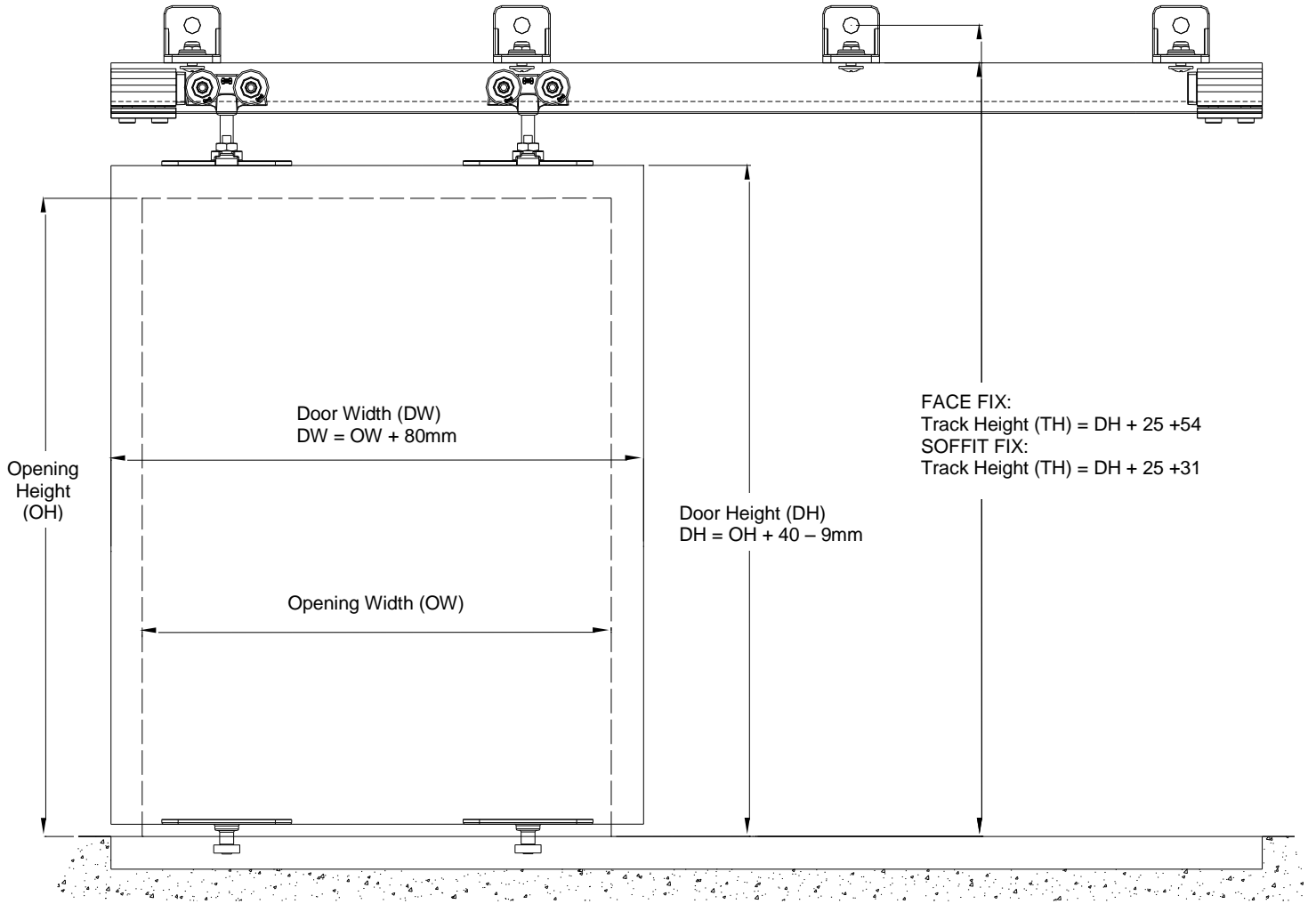
1 x Guide Channel – 2M



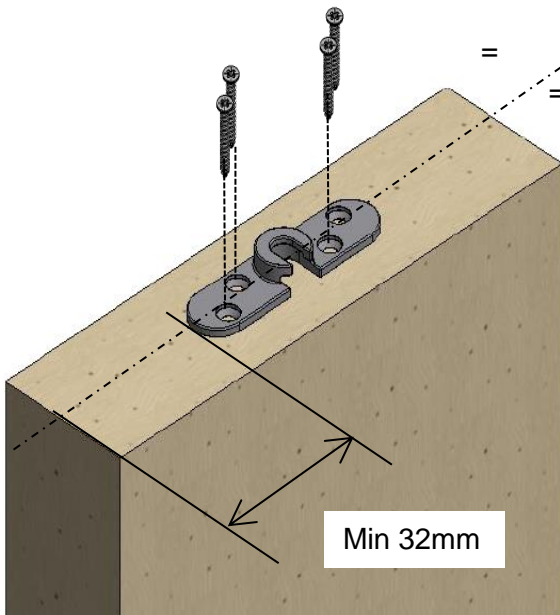
Exterior Kit



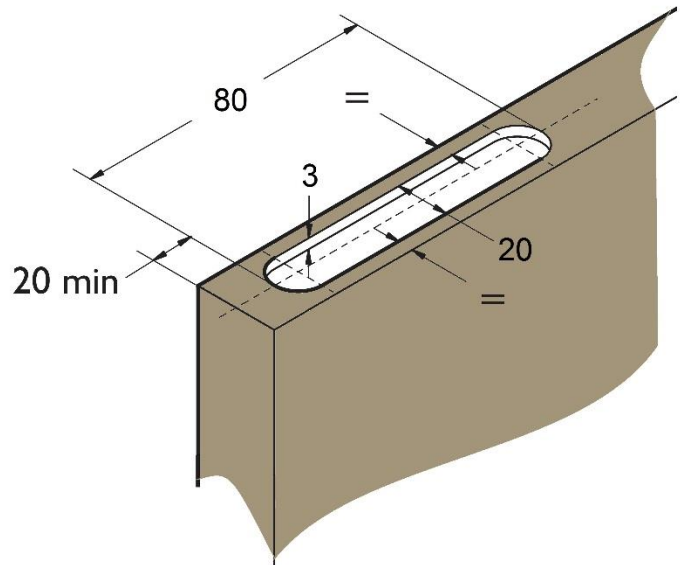
PCH Suggested layout/Door Height



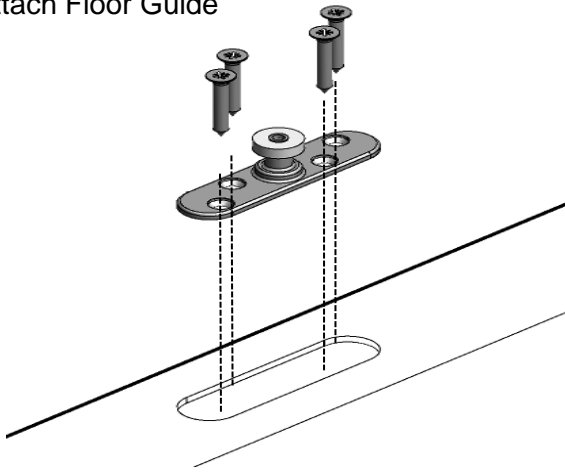
1. Fit Apron plate



2. Optional Routing detail For Floor Guide

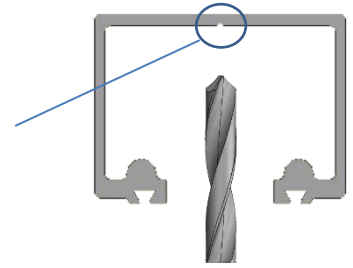


3. Attach Floor Guide

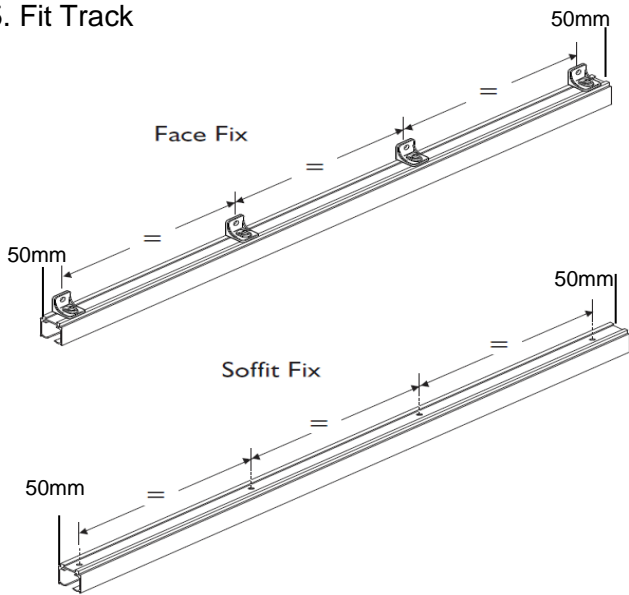


4. Prepare Track

- i. Cut track to length required
- ii. Drill holes in track – hole size depends on fixing method. Use “V” to ensure holes central

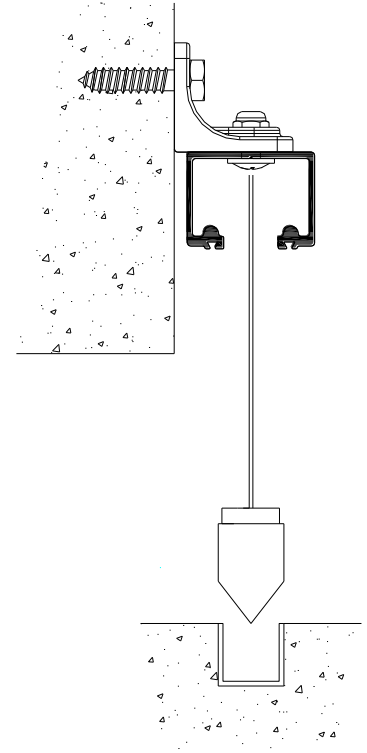


5. Fit Track



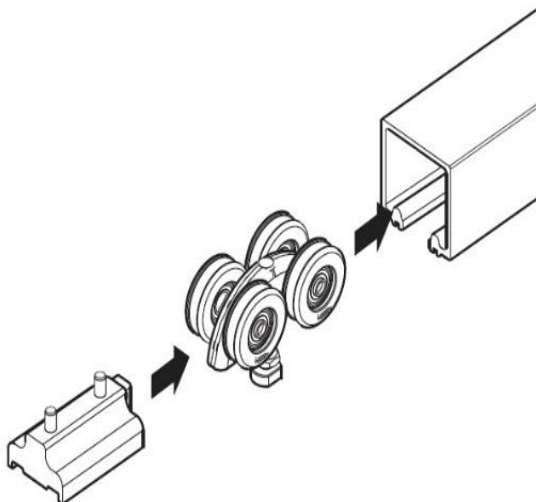
6. Prepare and Fit Channel

- i. Mark plumb line positions at start and end of track
- ii. Cut channel to length required.
- iii. Fix in position.

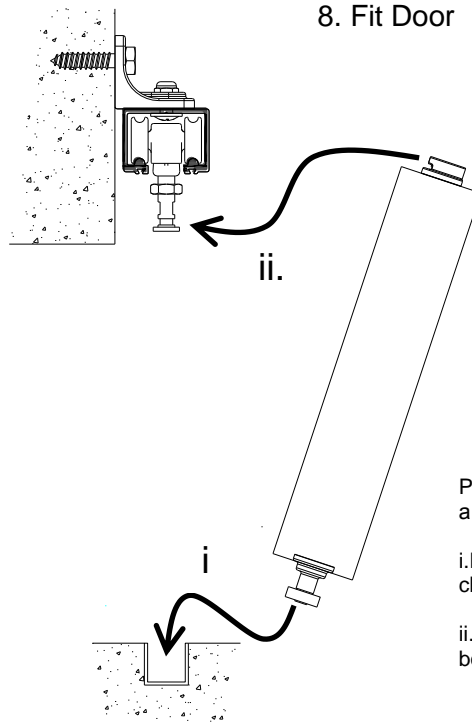


It is the installer responsibility to ensure that the correct fixing/wall insert is used and is suitable - depending on the wall/ceiling/floor type and quality

7. Load Hangers and Stops to Track



8. Fit Door

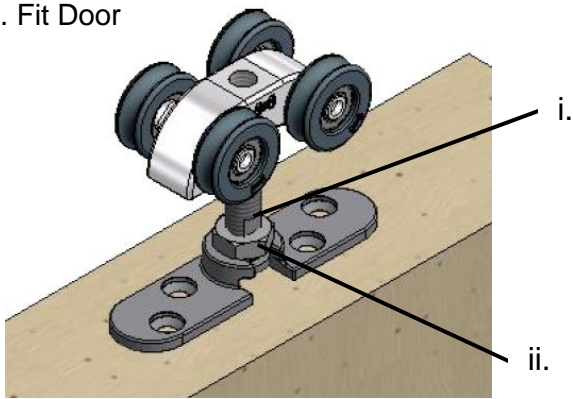


PCH suggest door lift should be a “2 MAN” job.

i. Position guides into guide channel.

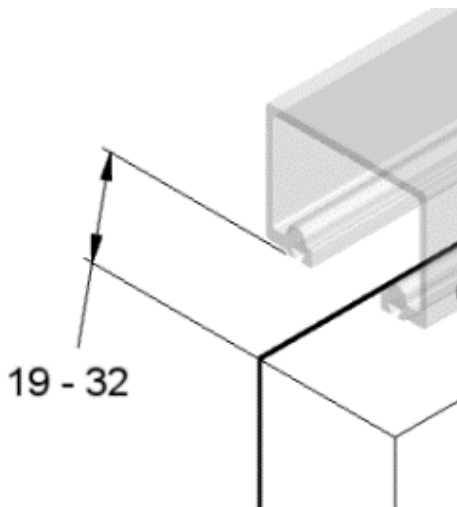
ii. Hook apron plates onto strap bolts

9. Fit Door

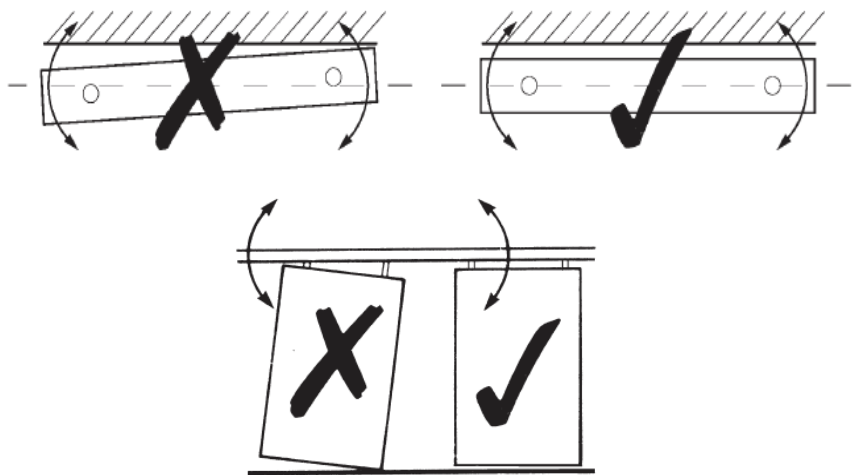


- i. Set Door height by rotating strap bolt on flats
- ii. Once position set – tighten thin nut against apron plate.

10. Check Door Height



11. Confirm Door Movement



12. Final positioning:

Position & secure track stop block at both ends of the track

