

FITTING INSTRUCTIONS - NOTICE DE POSE - MONTAGE HANDLEIDING - MONTAGEANLEITUNG INSTRUZIONI DI MONTAGGIO - INSTRUCCIONES DE MONTAJE

NOTE: Both end brackets must be set in 150mm from the bar ends

OW = Opening width
PW = Glass panel width
X = Bracket spacing

Max glass panel height = 2500mm

OW = PW - 80mm

Floor guide 8-12/SN

MAXIMUM BRACKET SPACING (X) CALCULATION TABLE

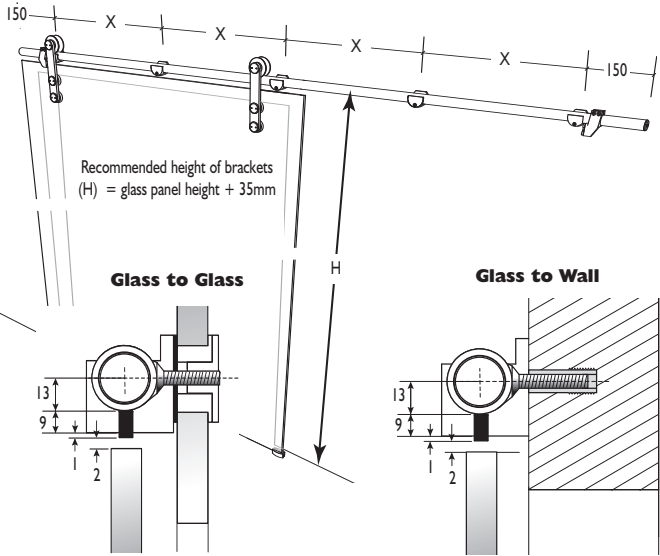
Panel Width

Height	up to 850			851-950			951-1050			1051-1150			1151-1250			1251-1350			1351-1400		
	Glass thickness			Glass thickness			Glass thickness			Glass thickness			Glass thickness			Glass thickness			Glass thickness		
	8	10	12	8	10	12	8	10	12	8	10	12	8	10	12	8	10	12	8	10	12
1900	400	400	400	450	450	450	500	500	500	550	550	530	600	550	520	590	550	510	580	540	510
2000	400	400	400	450	450	450	500	500	500	550	540	510	580	540	510	570	530	500	570	530	500
2100	400	400	400	450	450	450	500	500	500	550	530	500	570	530	500	560	520	490	560	520	490
2200	400	400	400	450	450	450	500	500	490	550	520	490	550	510	480	550	510	480	540	500	470
2300	400	400	400	450	450	450	500	500	480	550	510	480	540	500	470	540	500	470	530	490	460
2400	400	400	400	450	450	450	500	500	470	530	500	470	530	490	460	530	490	460	520	480	450
2500	400	400	400	450	450	450	500	490	460	520	490	460	520	480	450	520	480	450	510	470	440

For reference estimated glass weights are: 8mm = 20kg/m² - 10mm = 25kg/m² - 12mm = 30kg/m²

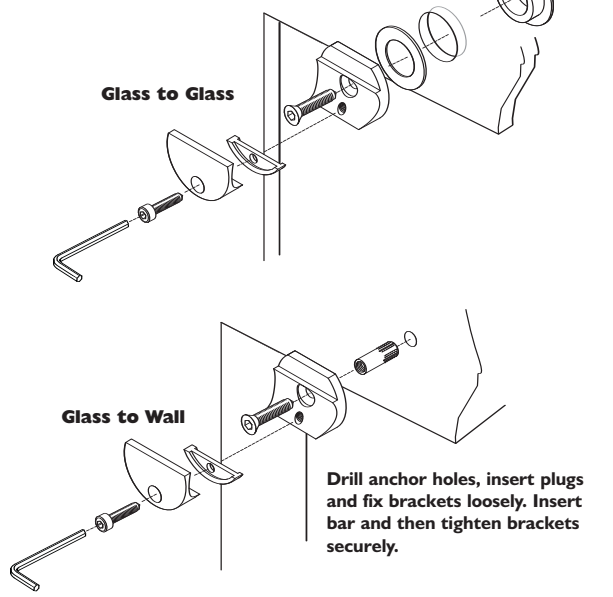
1

Mark position of brackets on the wall/glass ensuring that the correct number of brackets are used (see table).



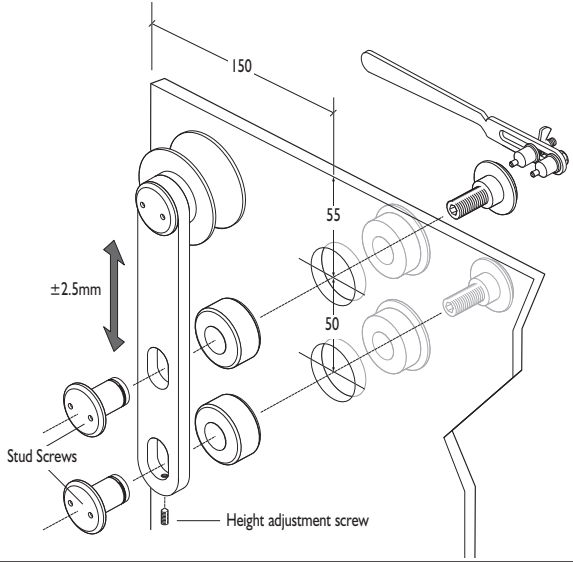
2

Drill Ø26 anchor holes in fixed glass panel and fix brackets loosely. Insert bar and then tighten screws securely.



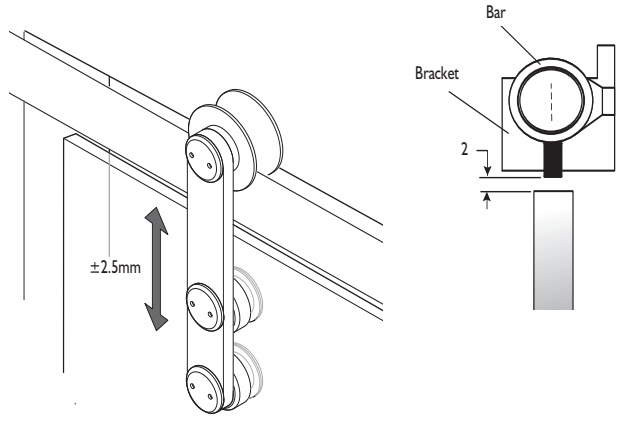
3

Unscrew the stud screws from the hanger and position the hanger on the door using the fitting tool provided.



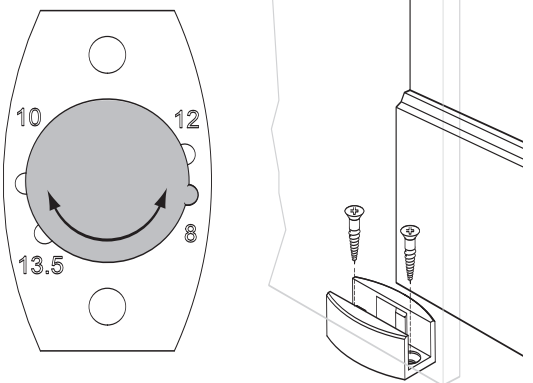
4

Hang the door on the track and adjust the alignment screw to ensure that the distance between the bottom of the bracket and top of the door is no greater than 2mm then tighten the stud screws.



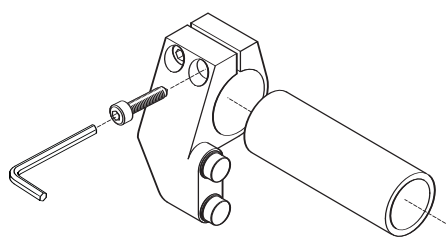
5

Adjust the floor guide to the correct glass thickness by removing the insert and rotating to the correct position. Secure to the floor using the fixings provided ensuring the door remains located in the floor guide at all positions and is clear of the opening.



6

Secure the floor stops using the 4mm Allen key. Tighten to torque setting 6Nm and test door.



7

Insert end caps at each end of the tubular track.

