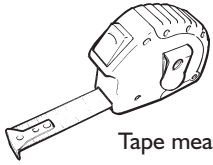
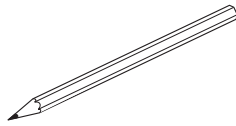


FITTING INSTRUCTIONS - NOTICE DE POSE - MONTAGE HANDLEIDING - MONTAGEANLEITUNG ISTRUZIONI DI MONTAGGIO - INSTUCCIONES DE MONTAJE

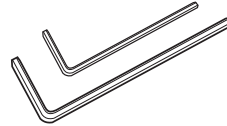
Tools Required



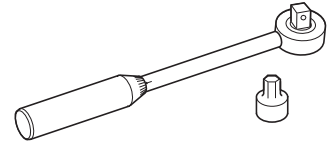
Tape measure



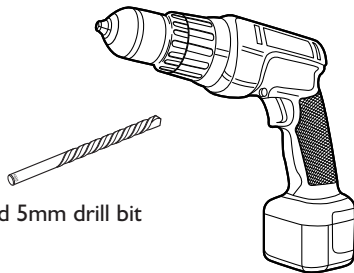
Pencil



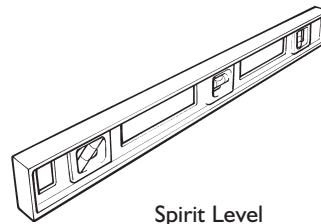
Allen keys 4 and 6mm



Torque wrench and 6mm bit

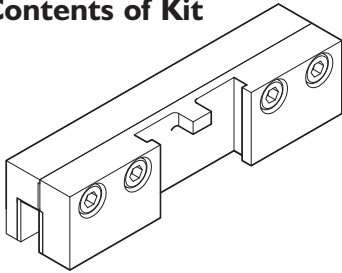


Drill and 5mm drill bit

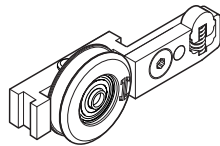


Spirit Level

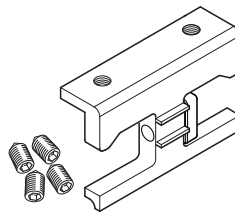
Contents of Kit



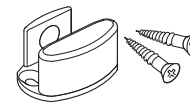
Glass Clamp x 2



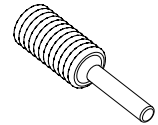
Wheel carriage x 2



Clip stop x 2,
M8 grub screws x 4

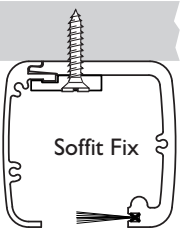


Floor guide x 1
Wood screws x 2

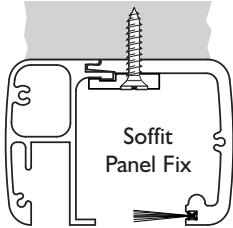


Pull plug x 2

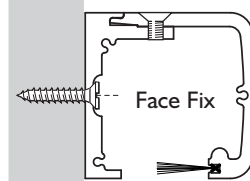
Track -Sold Separately



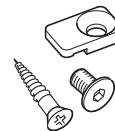
Soffit Fix



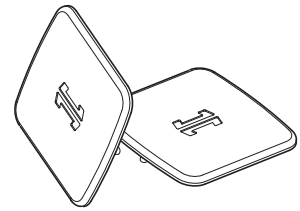
Soffit
Panel Fix



Face Fix

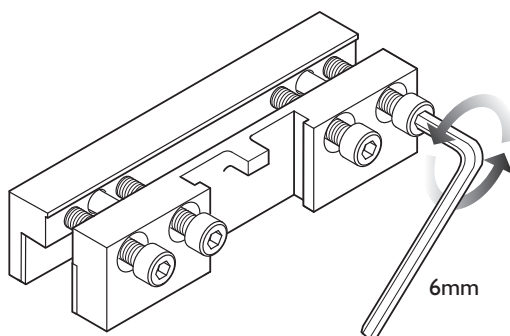


Locking Clips
(Quantity to suit track installation)



Left and Right Hand
End Caps

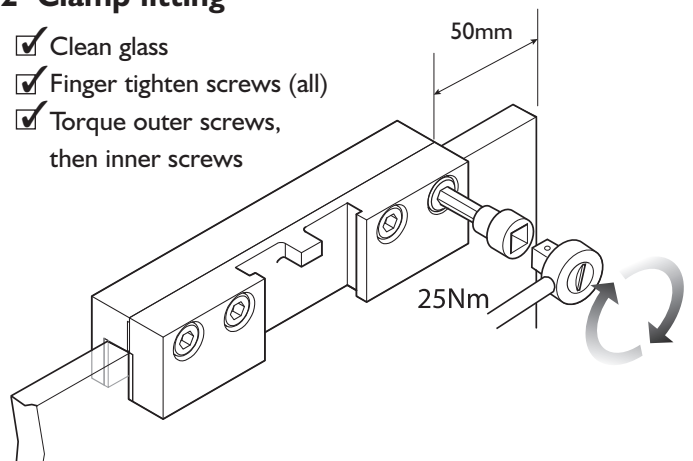
1 Unscrew to loosen clamp



6mm

2 Clamp fitting

- ✓ Clean glass
- ✓ Finger tighten screws (all)
- ✓ Torque outer screws, then inner screws

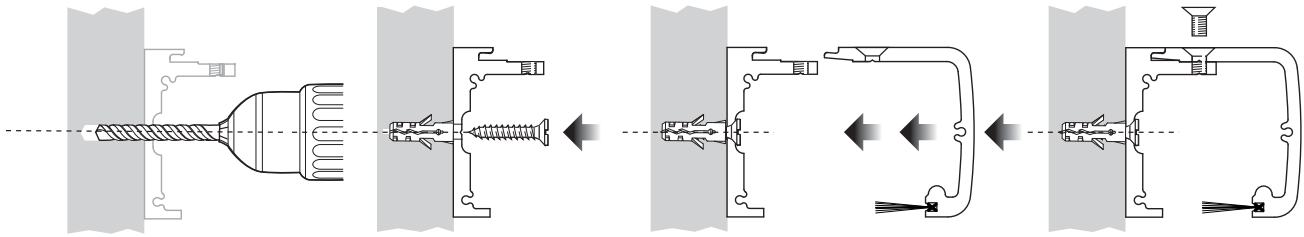


50mm

25Nm

3 Face Fix

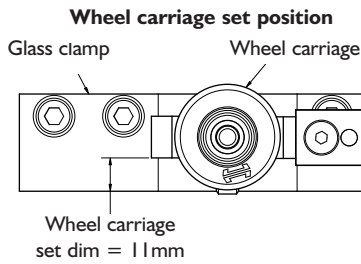
Drill Ø5 hole every 500mm equally spaced about the centre



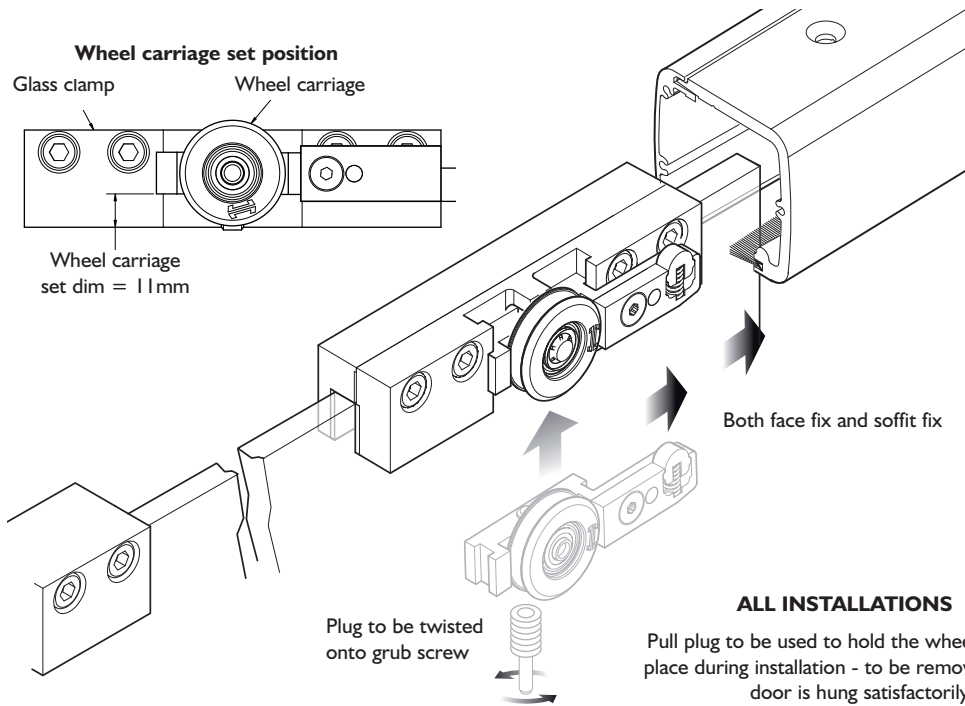
Refer to figure 8 for fixing position

Rawplug not supplied by PC Henderson

IMPORTANT
Insert all bolts



Track Length	Number of bolts
2000mm	5
2500mm	6
3000mm	7
3500mm	8
4000mm	9
5000mm	10
6000mm	11



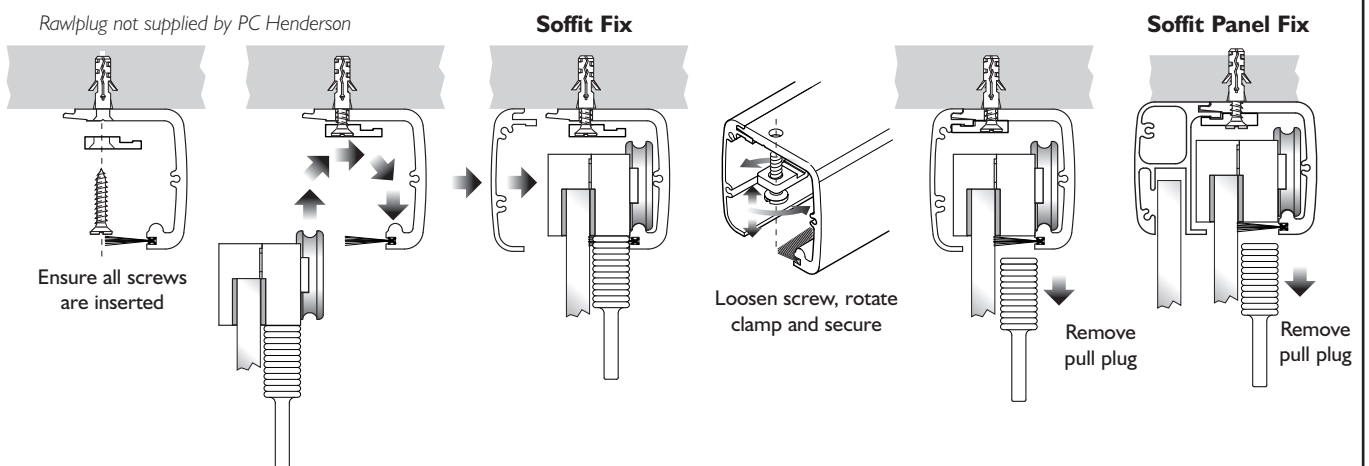
Both face fix and soffit fix

ALL INSTALLATIONS

Pull plug to be used to hold the wheel carriage in place during installation - to be removed once the door is hung satisfactorily

4 Soffit and Soffit Panel Fix

Rawplug not supplied by PC Henderson



Soffit Fix

Soffit Panel Fix

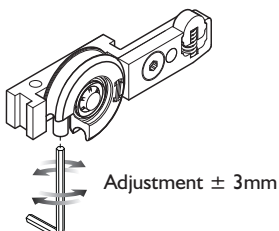
Ensure all screws are inserted

Loosen screw, rotate clamp and secure

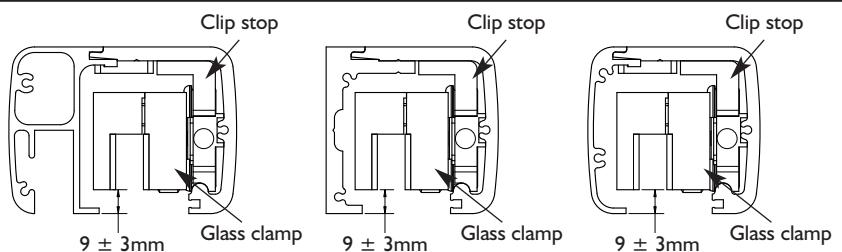
Remove pull plug

Remove pull plug

4.1 Height adjustment



Adjustment $\pm 3\text{mm}$



$9 \pm 3\text{mm}$

Glass clamp

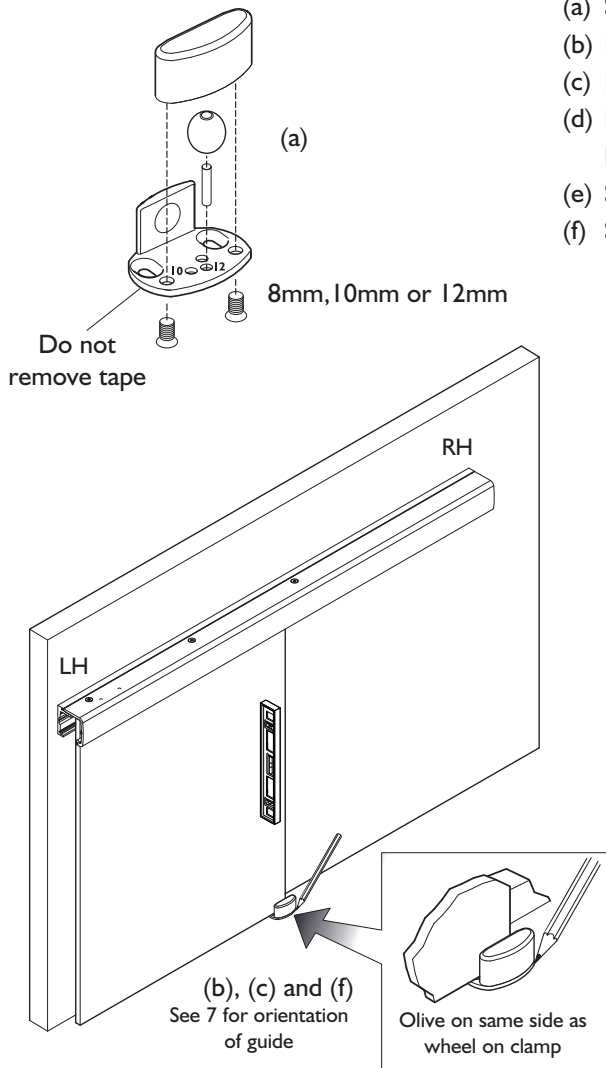
$9 \pm 3\text{mm}$


Glass clamp

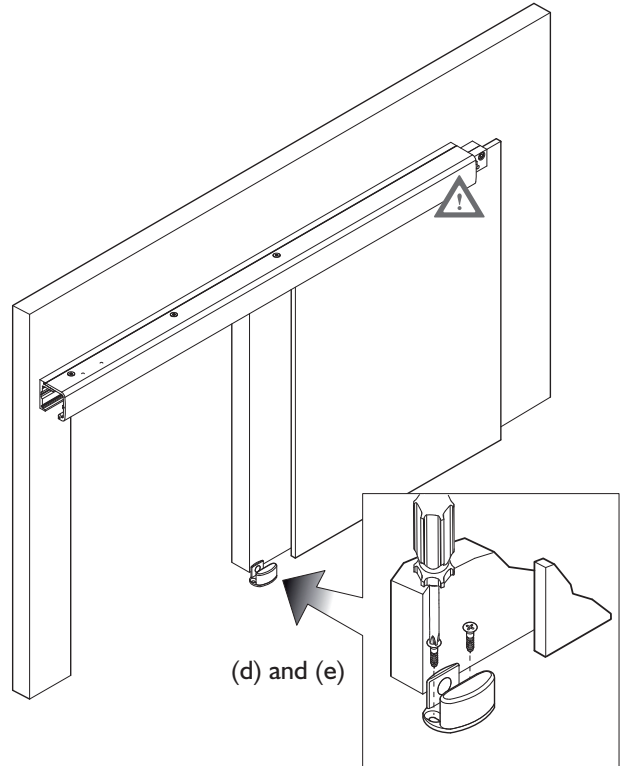
$9 \pm 3\text{mm}$

Glass clamp

5 Fit Floor Guide

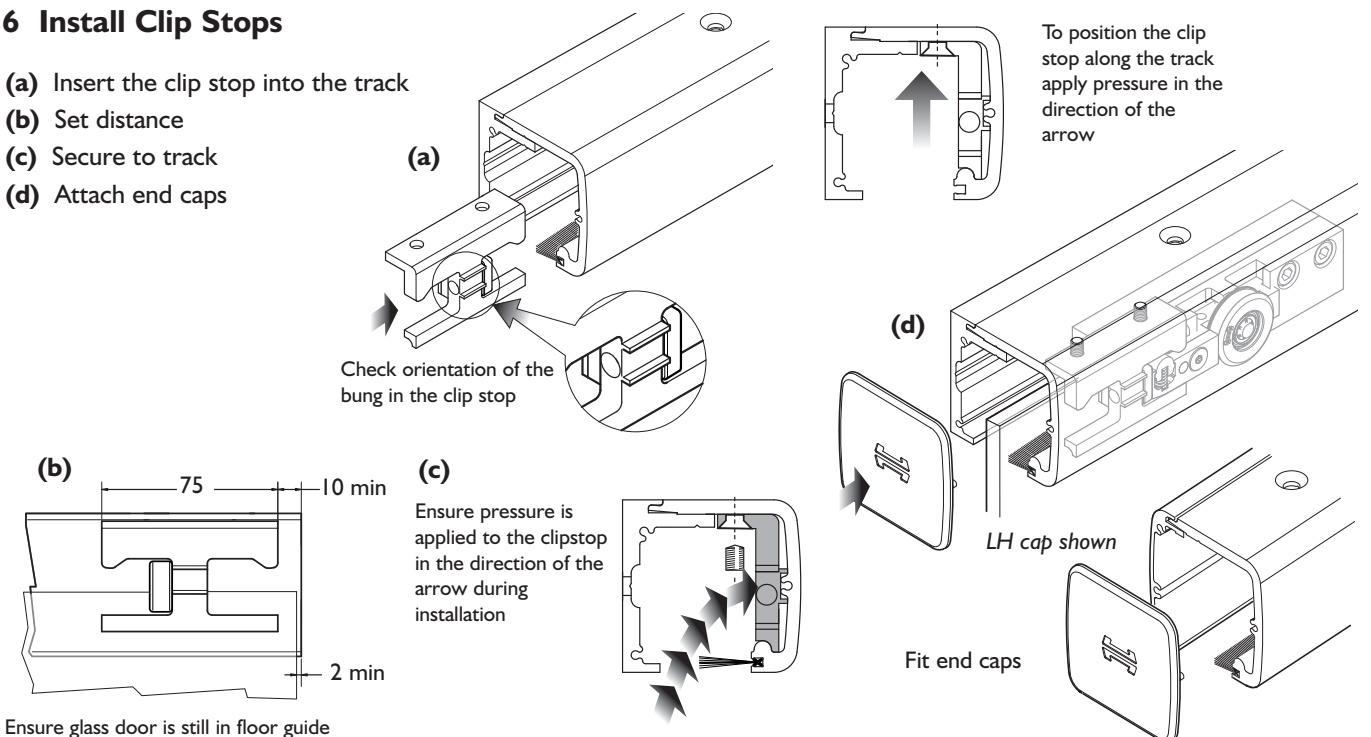


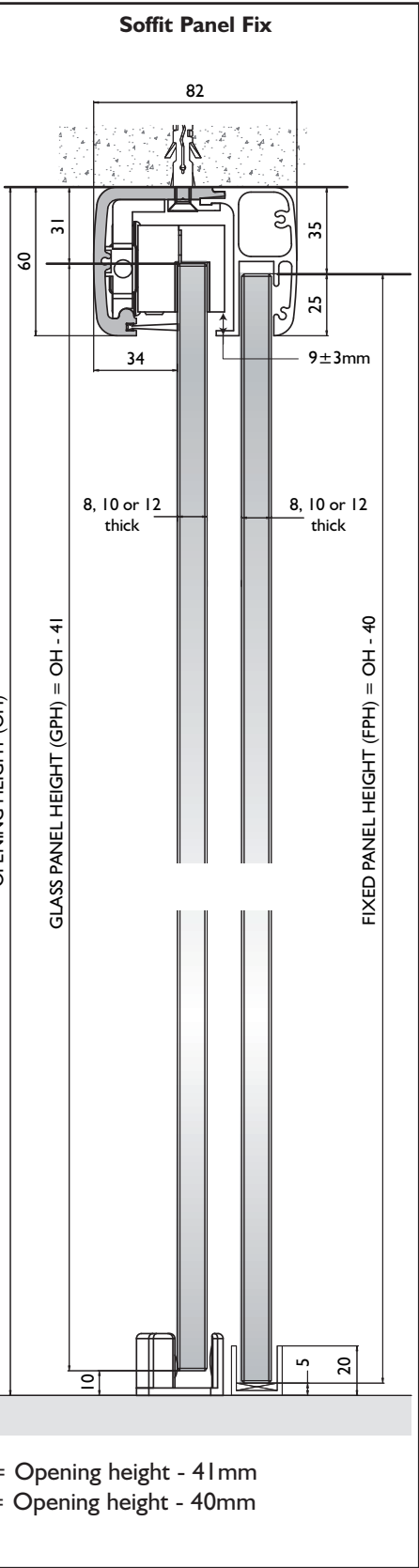
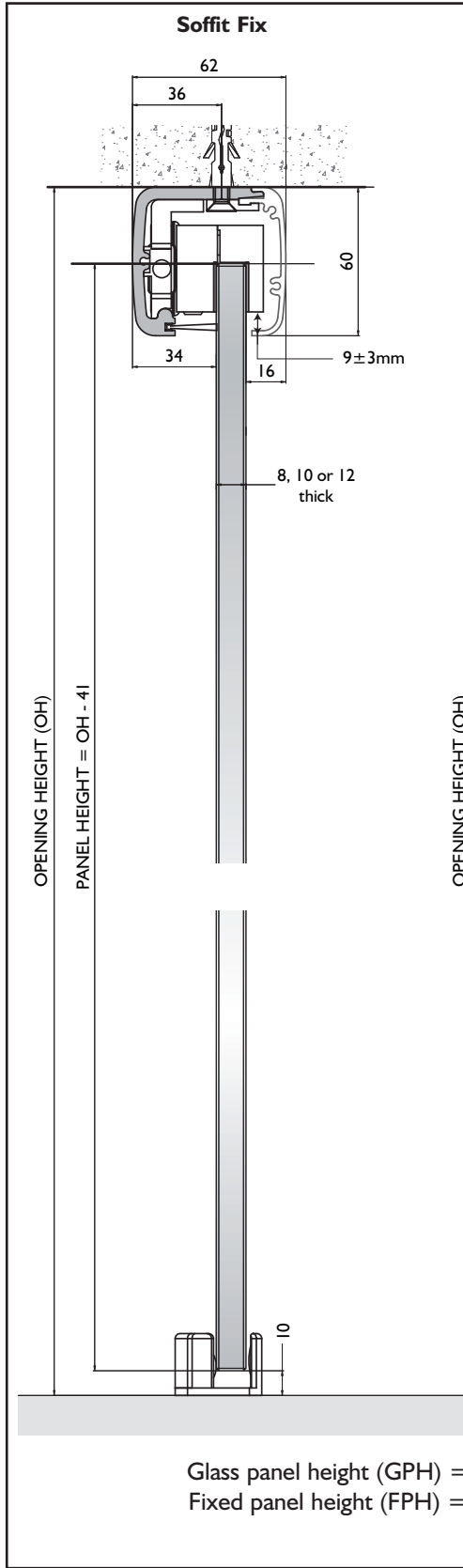
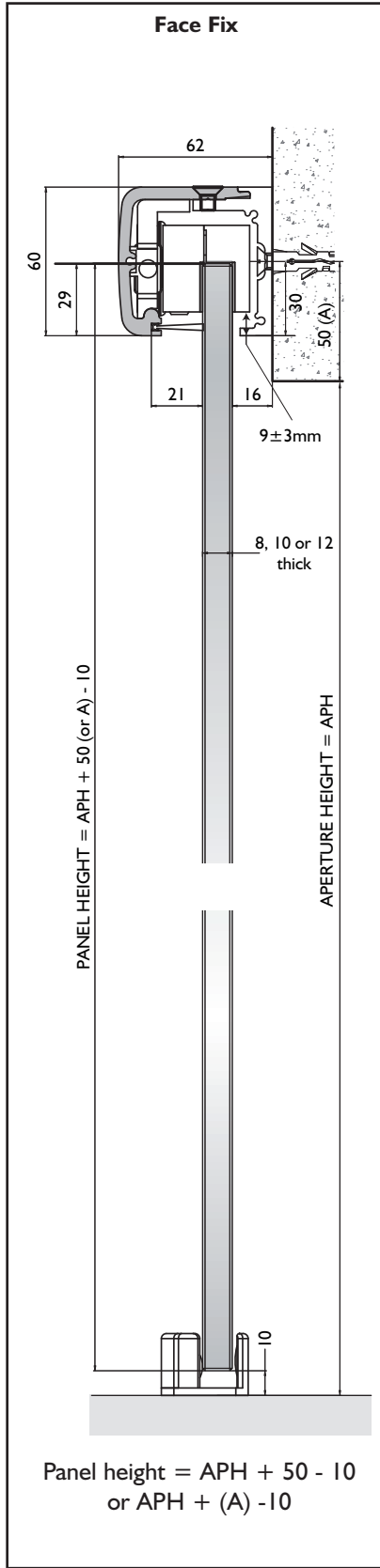
- (a) Set glass thickness - 8mm, 10mm or 12mm (if required)
- (b) Position floor guide - check level of glass door with spirit level
- (c) Mark position in open or closed position
- (d) Re-position glass door
- Do not remove glass door from track** 
- (e) Secure with screws
- (f) Slide glass door back into floor guide



6 Install Clip Stops

- (a) Insert the clip stop into the track
- (b) Set distance
- (c) Secure to track
- (d) Attach end caps





(All dimensions in mm)