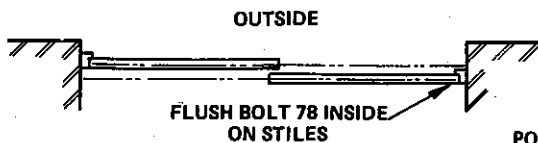
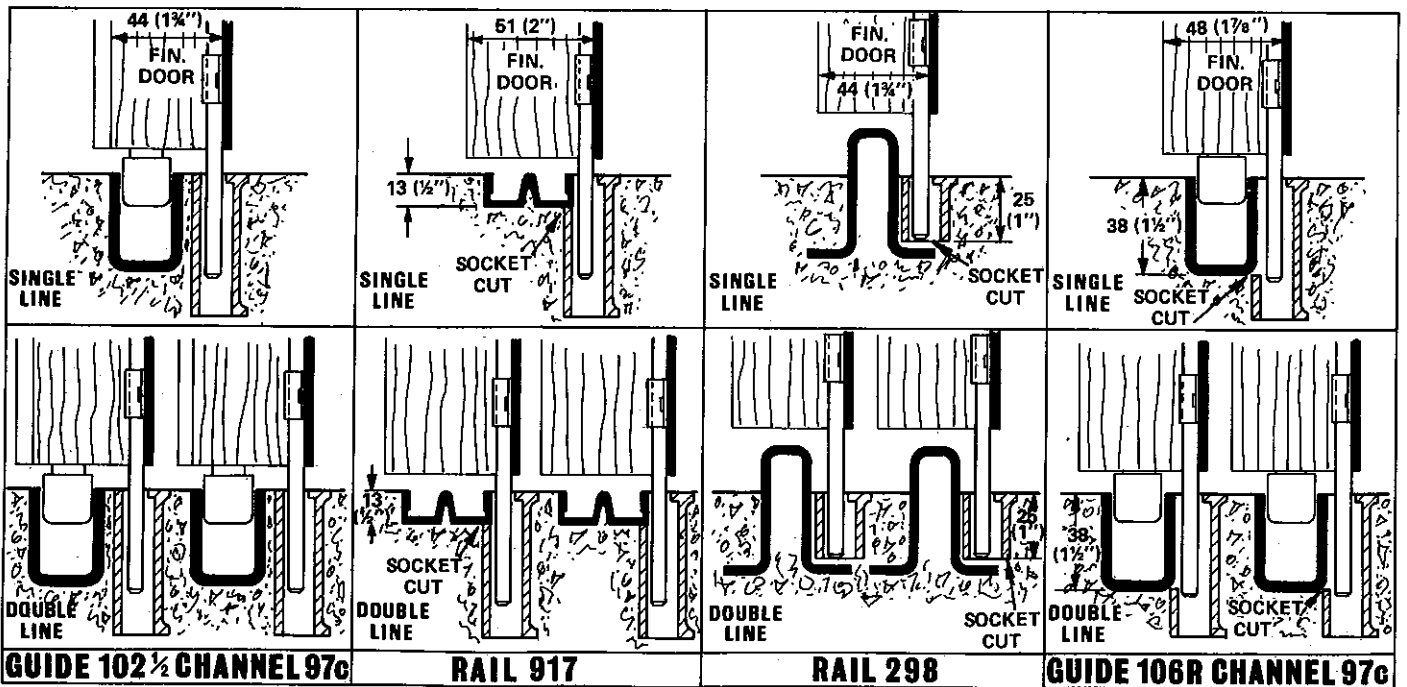
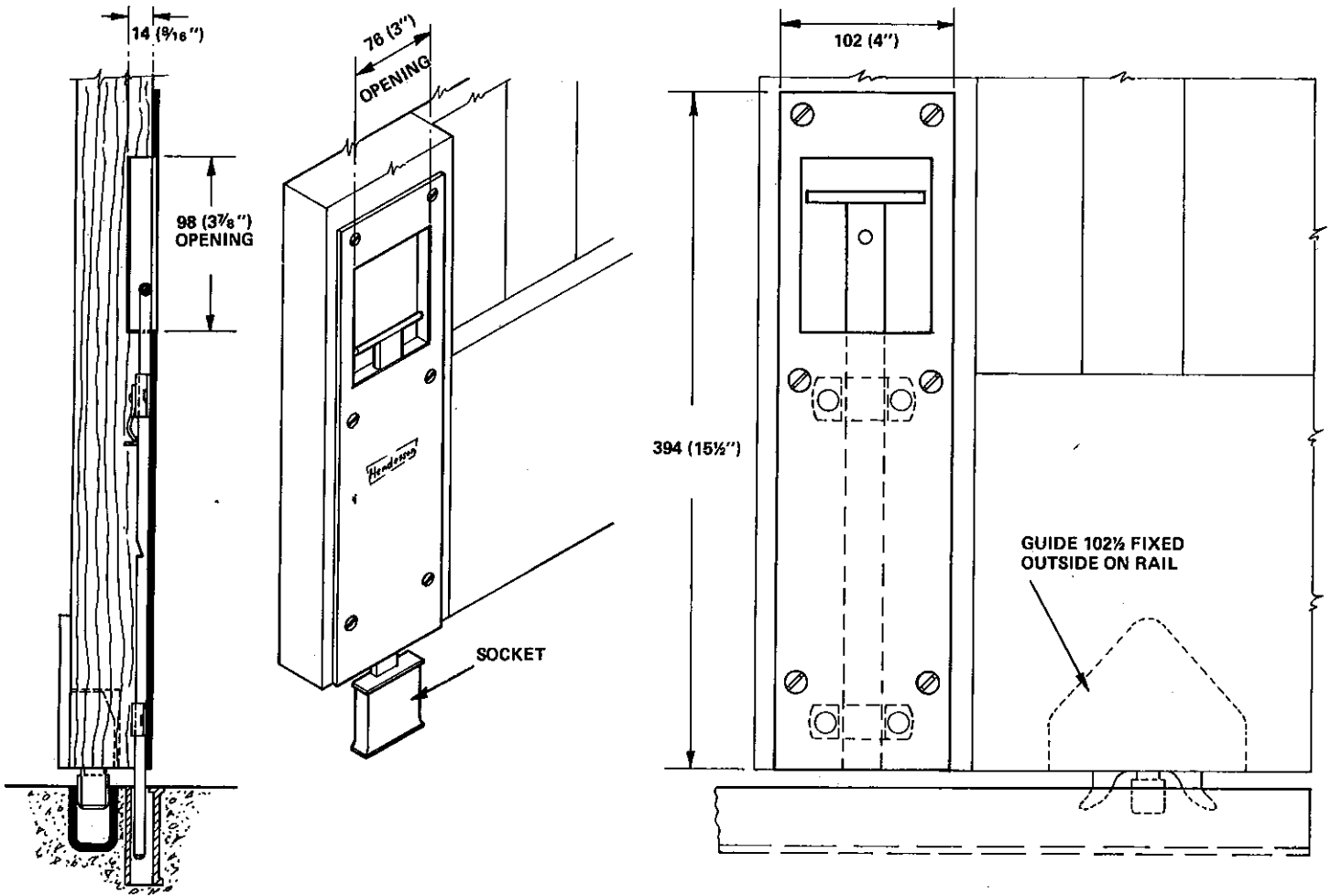
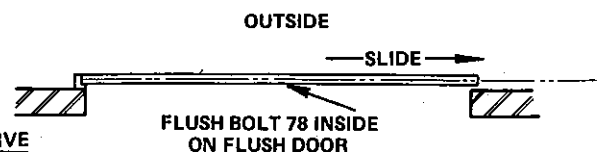


FLUSH BOLTS NO 78 FIXING DETAIL



POINTS TO OBSERVE



Flush Bolts 78 are designed for fixing to:-

- (a) Stiles of fully glazed doors. Minimum width of stile 114 (4 1/2").
- (b) Fully flush of flush boarded doors.
- (c) Framed, ledged and braced doors with stiles 114 (4 1/2") minimum wide.
- (d) Doors with a bottom rail 406 (16") minimum deep.

For minimum thickness of doors refer to sketches above.

In certain applications the bolt sockets will have to be cut on site to miss the guide channel or bottom rail. Sketches above illustrate this point.