

# HUSKY 50KG SOFT STOP

MAXIMUM DOOR WEIGHT 50kg

FOR SLIDING TIMBER & METAL DOORS

## APPLICATIONS

- ▶ Enhancing the sophistication and convenience of the Husky system even further, it gently decelerates sliding doors and pulls them into their final position.
- ▶ It can be used on both the opening and closing side and is suitable for wood and metal sliding doors.
- ▶ The soft stop damper catches the door and draws it into the open or closed position for the last 110mm of travel.
- ▶ Single kit – Soft Stop on one end only (can be installed on either the open or closed side).
- ▶ Double kit – Soft Stop on both ends (operation on both open and closed side).
- ▶ Convenient and installer-friendly - there is no special tooling required.
- ▶ A high-quality, hydraulic damper is at the key of the system, which has been tested to BS EN1527, and will work maintenance-free throughout its lifetime.
- ▶ The Husky Soft Stop has been designed to be installed in new installations or retro-fitted to a current Husky application.

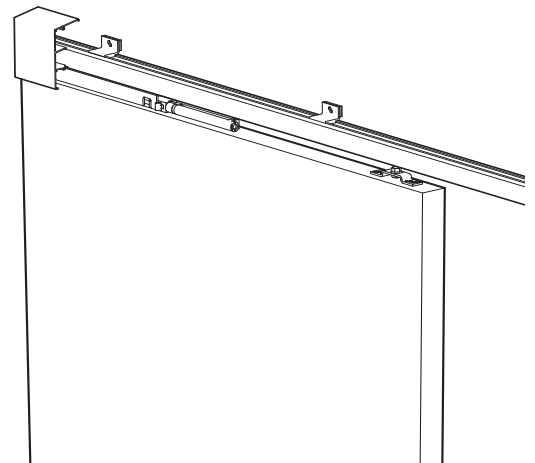
## DOOR SPECIFICATION

<b>Maximum leaf weight</b>	50kg
Minimum weight of 25kg should only be used with our Soft 50 kit. We recommend the use of solid core doors or fire doors	
<b>Door thickness</b>	35mm minimum
<b>Door width</b>	Single damper installation - Minimum door width 716mm Double damper installation – Minimum door width 1078mm (Double damper not available on Pocket Door)
<b>Door material</b>	Suitable for use with timber framed doors of flush, panelled or glazed construction. Metal doors should be lightly constructed of channel or angle framing, clad with sheeting as required.



## GEAR SPECIFICATION

<b>Kit: Soft50</b>	<b>Single Husky 50kg soft stop kit</b> - one damper - one soft stop block - left hand (LH) and right hand (RH) aluminium soft stop brackets* - fitting instructions - all fixings required for the kit
<b>Kit: Soft50D</b>	<b>Double Husky 50kg soft stop kit</b> - two dampers - two soft stop blocks - left hand (LH) and right hand (RH) aluminium soft stop brackets - fitting instructions - all fixings required for the kit
<b>Required extras</b>	2 nylon-bodied needle roller-bearing 4-wheel hangers (284) Track, in either: - Steel (280) - Aluminium mill finish (281A); or - Aluminium anodised finish (280AN)
<b>Optional extras</b>	See Husky 50 data sheet for full optional extra information, or alternatively contact PC Henderson on the contact information overleaf.



\* Installer will select one of the brackets provided depending on whether operation required is closing or opening.

H  
E  
N  
D  
E  
R  
S  
O  
N

# HUSKY 50KG SOFT STOP

## PLEASE NOTE:

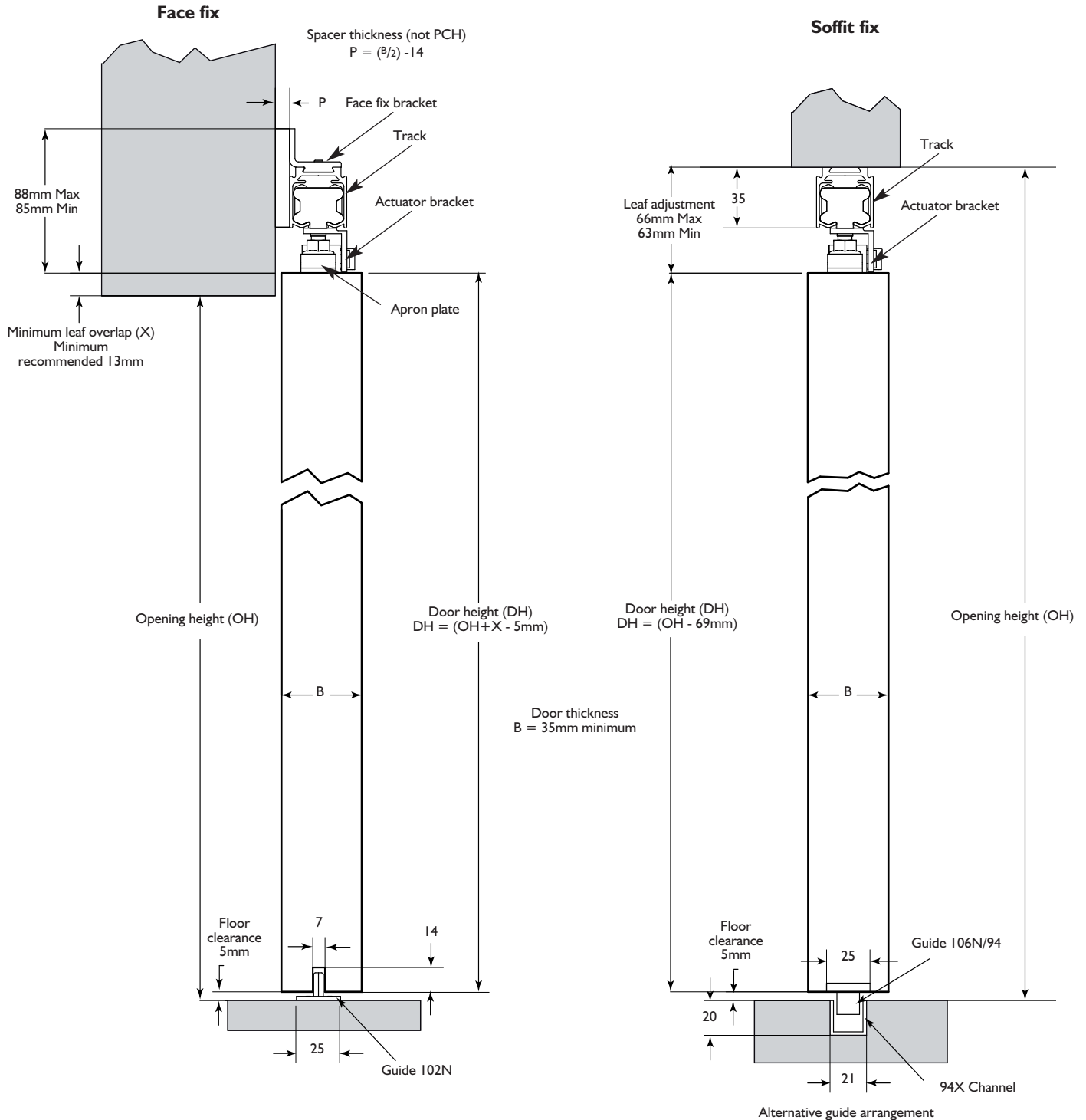
Minimum weight of 25kg should only be used with our Soft 50 kit.

We recommend the use of solid core doors or fire doors.

Single damper installation; Minimum door width = 716mm

Double damper installation; Minimum door width = 1078mm

Double damper not available on pocket door



(All dimensions in mm)

REFER TO HUSKY INSTRUCTIONS FOR GENERAL TRACK INSTALLATION DETAILS

# HENDERSON

P C Henderson Limited, Durham Road, Bowburn, County Durham DH6 5NG, UK. Web: [www.pchenderson.com](http://www.pchenderson.com)  
 UK Customer Services Department: Tel: +44 (0)191 377 7345 Fax: +44 (0)191 377 3116 Email: [sales@pchenderson.com](mailto:sales@pchenderson.com)  
 Export Department: Tel: +44 (0)191 377 7346 Fax: +44 (0)191 377 0755. Email: [international@pchenderson.com](mailto:international@pchenderson.com).  
 For all technical queries email our Technical Department: [technical@pchenderson.com](mailto:technical@pchenderson.com)