

SIENNA GLASS

MAXIMUM DOOR WEIGHT 120kg

APPLICATIONS

- ▶ Elegant frameless glass door system creates a minimalist look
- ▶ 120kg system designed for 8mm-12mm toughened glass
- ▶ Rollers engineered to run effortlessly along a brushed stainless steel tubular track
- ▶ Designed for use with glass door to glass wall or glass door to solid wall
- ▶ Stops positioned on the track limit the door travel

DOOR SPECIFICATION

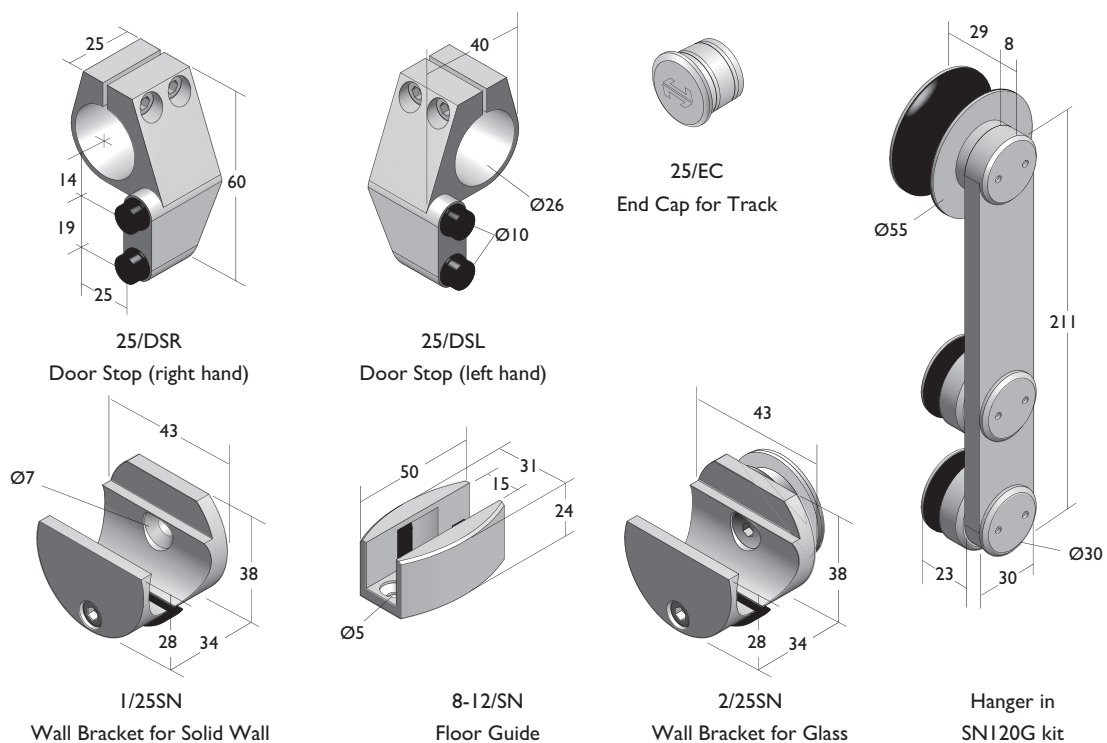
Max toughened glass panel weight	120kg
Glass panel thickness	8 - 12mm
Max glass panel height	2500mm
Min glass panel width	700mm

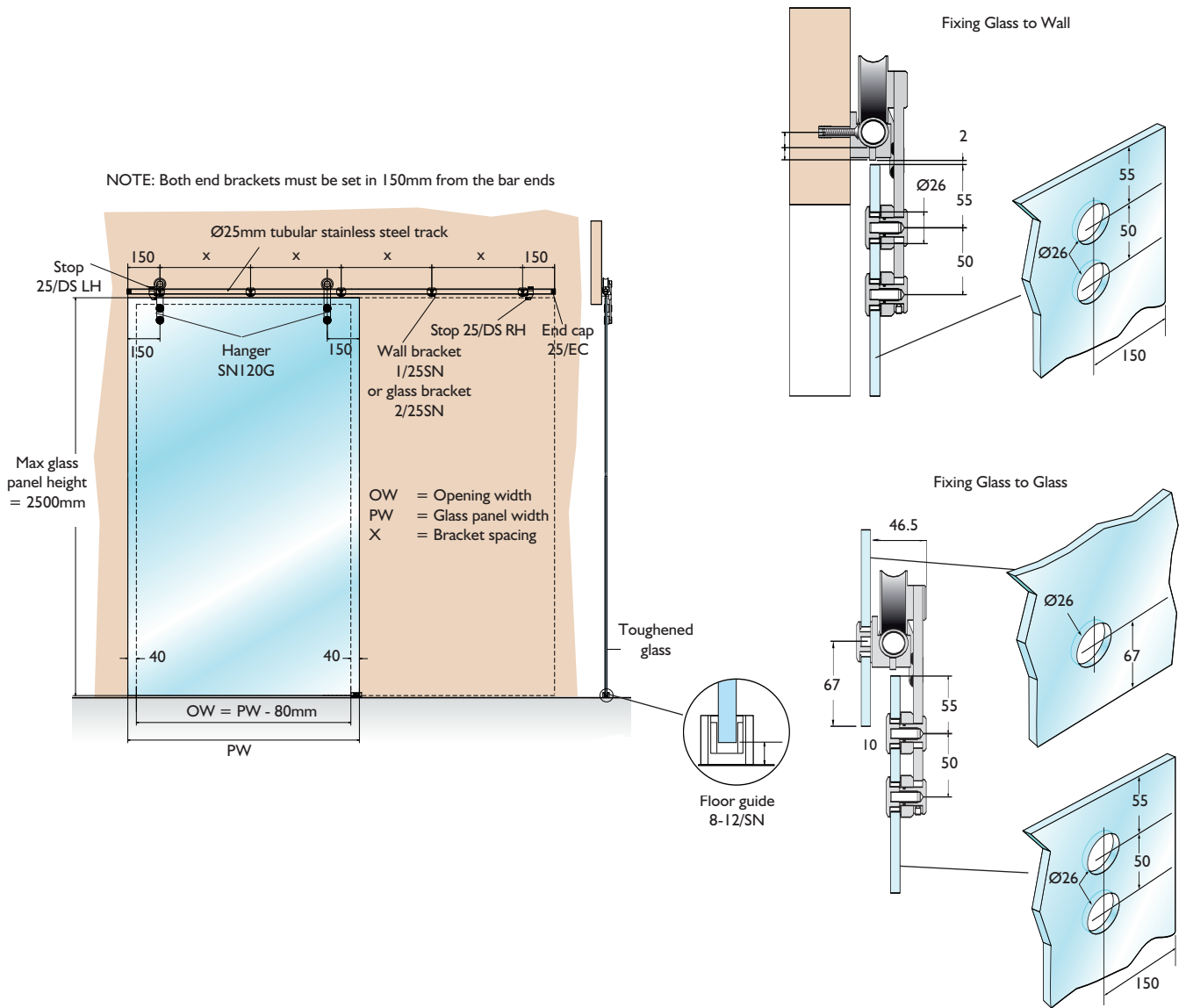
GEAR SPECIFICATION

Basic Kit SNI20G	2 hangers, 2 door stops, one guide, 2 bar end caps, one fitting tool and 2 Allen keys
Track	Ø25mm stainless steel tubular track available in standard lengths up to 6m
Brackets	Face-fix bracket for solid wall 1/25SN Face-fix bracket for glass wall 2/25SN
Guide	Floor guide for 8, 10 and 12mm glass 8-12/SN
Door Stop	Stop 25/DSR or Stop 25/DSL
Handle	Please contact our technical sales team for details on handles



Two basic kits required





MAXIMUM BRACKET SPACING (X) CALCULATION TABLE

Panel Width

Height	up to 850									851-950									951-1050									1051-1150									1151-1250									1251-1350									1351-1400								
	Glass thickness			Glass thickness			Glass thickness			Glass thickness			Glass thickness			Glass thickness			Glass thickness			Glass thickness			Glass thickness			Glass thickness			Glass thickness			Glass thickness																													
	8	10	12	8	10	12	8	10	12	8	10	12	8	10	12	8	10	12	8	10	12	8	10	12	8	10	12	8	10	12	8	10	12																														
1900	400	400	400	450	450	450	500	500	500	550	550	530	600	550	520	590	550	510	580	540	510																																										
2000	400	400	400	450	450	450	500	500	500	550	540	510	580	540	510	570	530	500	570	530	500																																										
2100	400	400	400	450	450	450	500	500	500	550	530	500	570	530	500	560	520	490	560	520	490																																										
2200	400	400	400	450	450	450	500	500	490	550	520	490	550	510	480	550	510	480	540	500	470																																										
2300	400	400	400	450	450	450	500	500	480	550	510	480	540	500	470	540	500	470	530	490	460																																										
2400	400	400	400	450	450	450	500	500	470	530	500	470	530	490	460	530	490	460	520	480	450																																										
2500	400	400	400	450	450	450	500	490	460	520	490	460	520	480	450	520	480	450	510	470	440																																										

For reference estimated glass weights are: 8mm = 20kg/m² - 10mm = 25kg/m² - 12mm = 30kg/m²

(All dimensions in mm)