

FITTING INSTRUCTIONS - NOTICE DE POSE - MONTAGE HANDLEIDING - MONTAGEANLEITUNG

ISTRUZIONI DI MONTAGGIO - INSTRUCCIONES DE MONTAJE

Tools required



Ø7 Drill bit



Electric Drill



Tape measure



Pencil

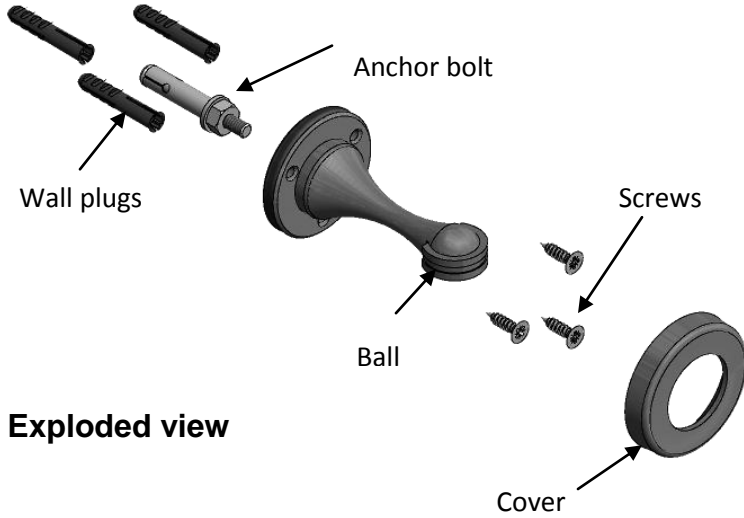


Posi Screw driver



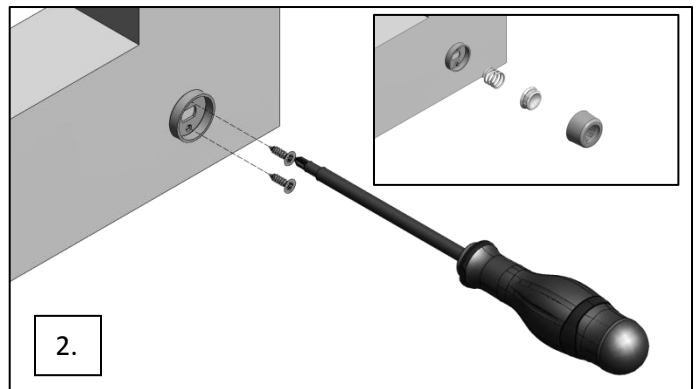
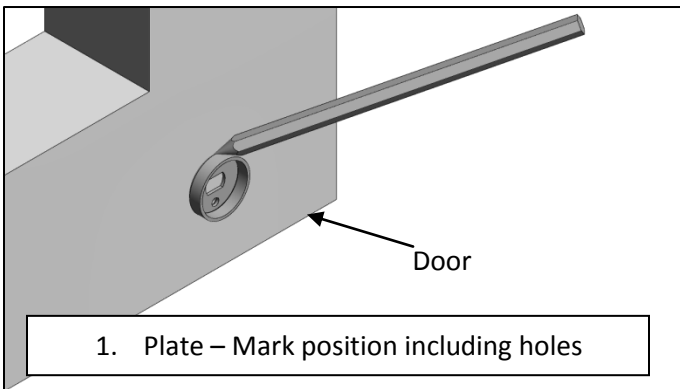
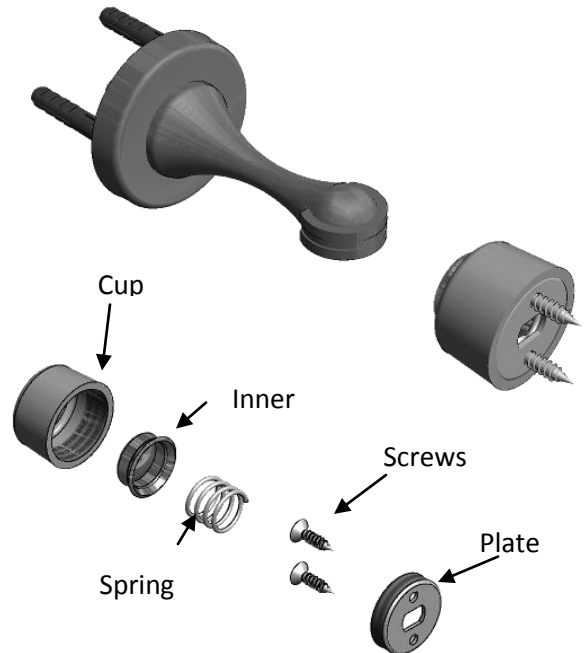
10mm ring Spanner

Content of Kit



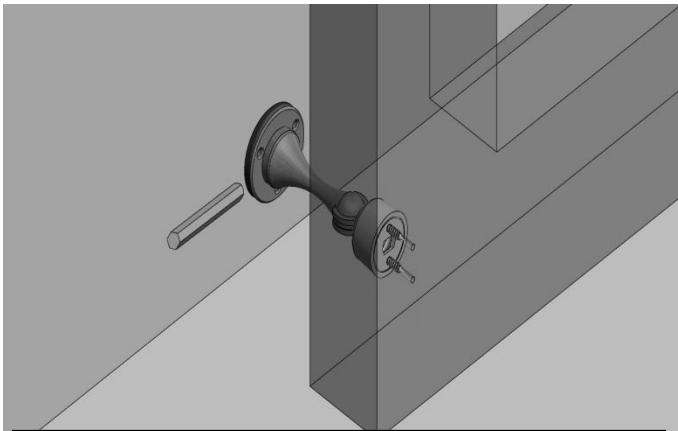
Exploded view

Assembled View

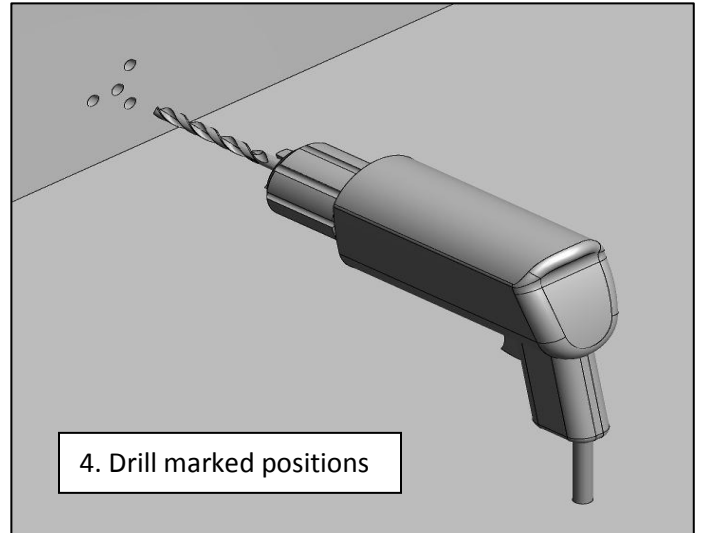


FITTING INSTRUCTIONS - NOTICE DE POSE - MONTAGE HANDLEIDING - MONTAGEANLEITUNG

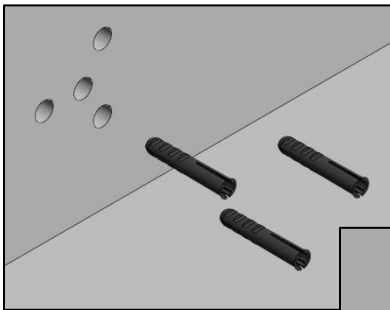
ISTRUZIONI DI MONTAGGIO - INSTRUCCIONES DE MONTAJE



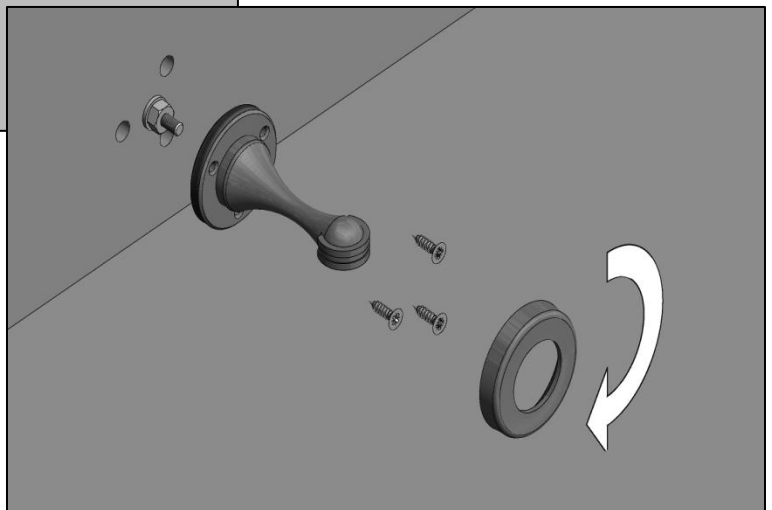
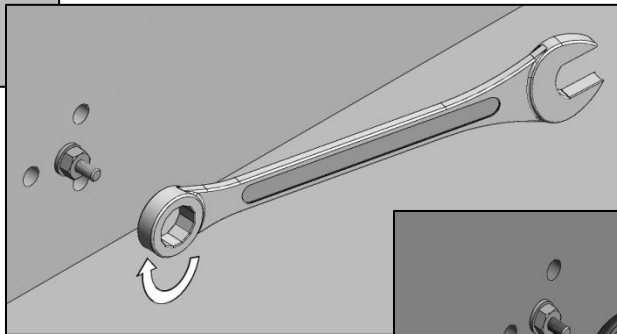
3. Mark position on wall. Remove cover to mark hole positions



4. Drill marked positions



NOTE: It is the installer's responsibility to ensure the wall insert supplied is suitable to be used. Depend on wall type / quality



5. Insert plugs into wall - tighten anchor bolt - locate body